

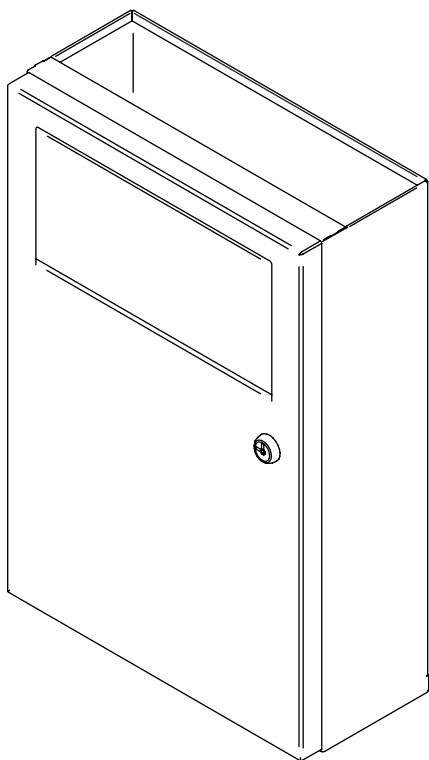
## Technical Data Sheet

### Plasma Range 5.5L Sani Bin

---

Applicable to products:

92342SS	Plasma 5.5L Sani Bin - Brushed
92342WH	Plasma 5.5L Sani Bin - White Powder Coated
92342BK	Plasma 5.5L Sani Bin - Black Powder Coated



## Technical Data Sheet

### Plasma 5.5L Sani Bin

92342SS, 92342WH, 92342BK



Compact and sleek sanitary waste unit, incorporating a holder for waste bags with a convenient bin below.

Product Image:



Product Description:

- Stainless Steel for durable design, rust-resistant and easy to clean.
- Bag Holder Feature – convenient holder for waste bags, ensuring easy and hygienic disposal.
- Compact design is ideal for cubicles with limited space.
- Suitable for all types of hygiene waste.
- Enhances the look of any modern washroom.

Available Finishes:

Brushed or powder coated

Available for specification at:



NBS Source  
PARTNER

bimobject®

# Technical Data Sheet

## Plasma 5.5L Sani Bin

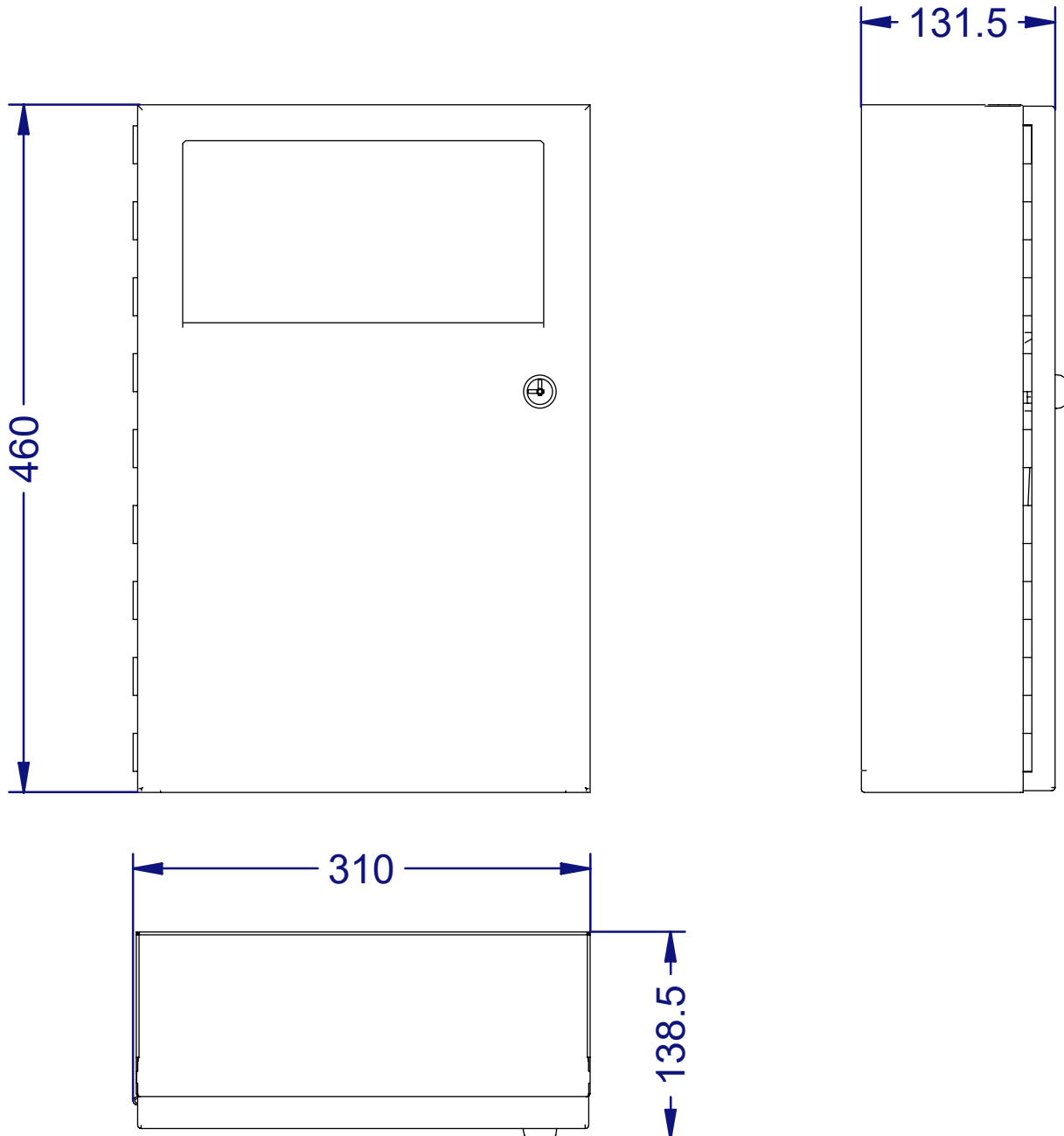
92342SS, 92342WH, 92342BK



### Product Specification:

<b>Material:</b>	Stainless Steel
<b>Dimensions:</b>	W.310mm x H.460mm x D.138.5mm
<b>Finish:</b>	Brushed / White Powder Coated / Black Powder Coated

### General Assembly:



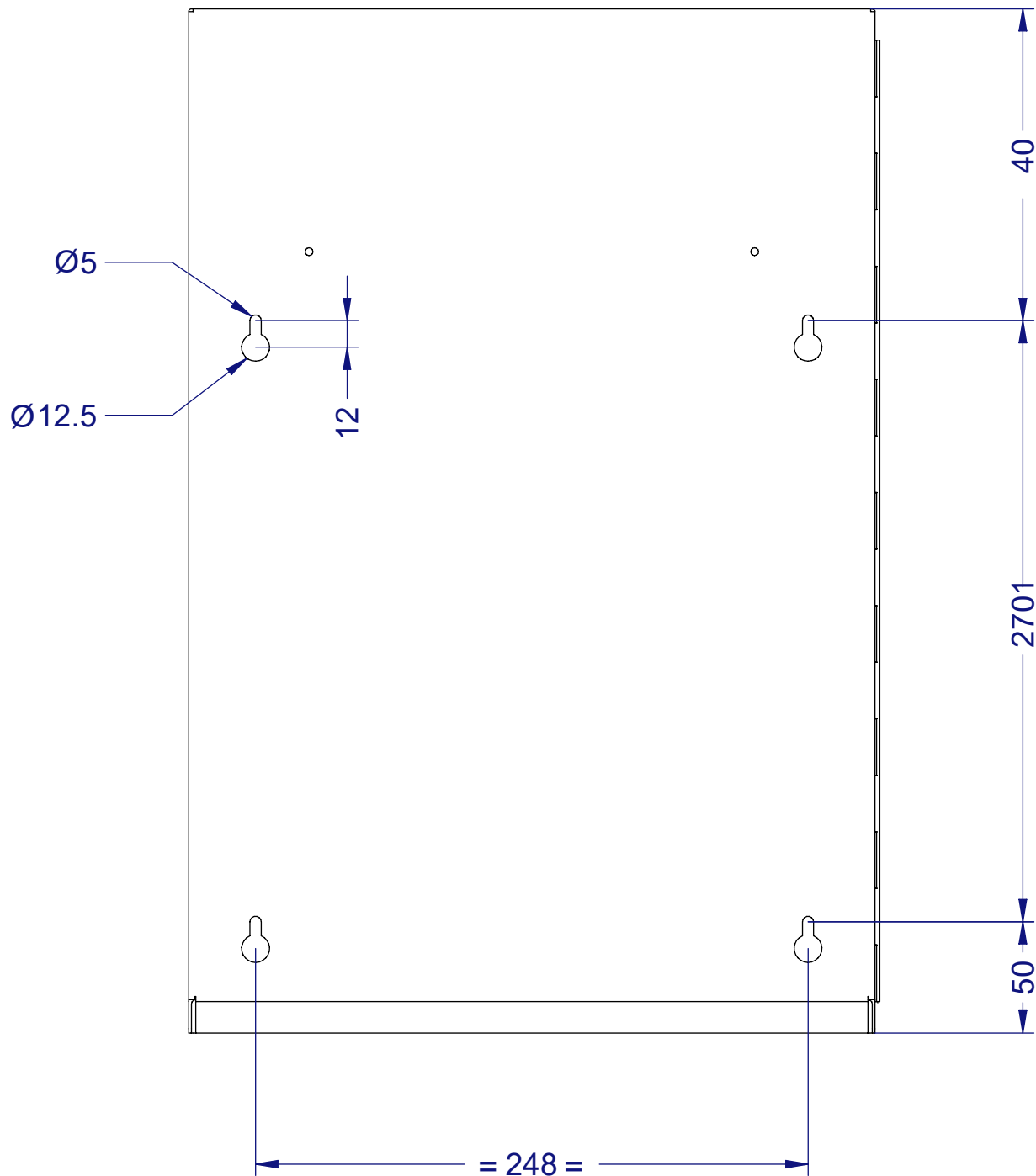
Technical Data Sheet

Plasma 5.5L Sani Bin

92342SS, 92342WH, 92342BK



Fixing Holes:



Dudley Industries Ltd  
Preston Road, Lytham St Annes, Lancashire. FY8 5AT

Tel: +44 (0) 1253 738311  
Email: sales@dudleyindustries.com  
Web: www.dudleyindustries.com

