

Installation and User Guide

Classic Behind the Mirror Hand Pull Down Dispensers

Applicable to products:

92070SS Paper Towel Dispenser
92071SS Soap Dispenser - Battery



Thank you for choosing the Dudley Industries Classic Behind the Mirror Pull Down Range of products.

This Behind the Mirror Hand Hygiene System is designed and manufactured by our team at our facilities based in Lancashire, UK. All our products are designed to withstand constant use in busy environments. Our Classic Behind the Mirror Pull Down range is supported by a 10 year warranty provided it is installed and maintained correctly and not subject to any vandalism. Products must not be modified in any way as this will invalidate the warranty.

Please follow these instructions for safe installation and pass this document to the user for safe keeping.



Safety Information

Please read these instructions thoroughly before installation and retain for future reference.

Remove all packaging and check contents for any damage prior to commencing installation. If there are any issues please contact our Customer Services Team on +44 (0) 1253 738 311.

Before commencing installation and drilling into walls check that there are no hidden electrical cables or water pipes.

When using power tools always ensure you wear the correct PPE and operate following the manufacturer's instructions.

Product Features

The Classic Pull Down Behind the Mirror range provides a choice of soap dispenser and paper towel dispenser that can be installed into bespoke washroom cabinetry.

The dispensers pull down below the cabinet base for ease of refilling.

The dispenser bases are installed using four fixing points.

The internal soap reservoirs and paper towel cavity are locked into position using the same key for ease.

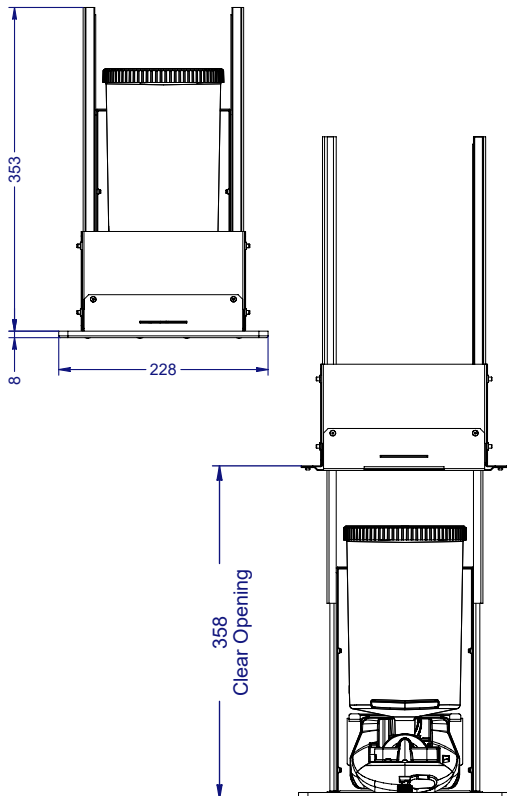
Manufactured from hygienic stainless steel with mixed material components.

Unit Dimensions

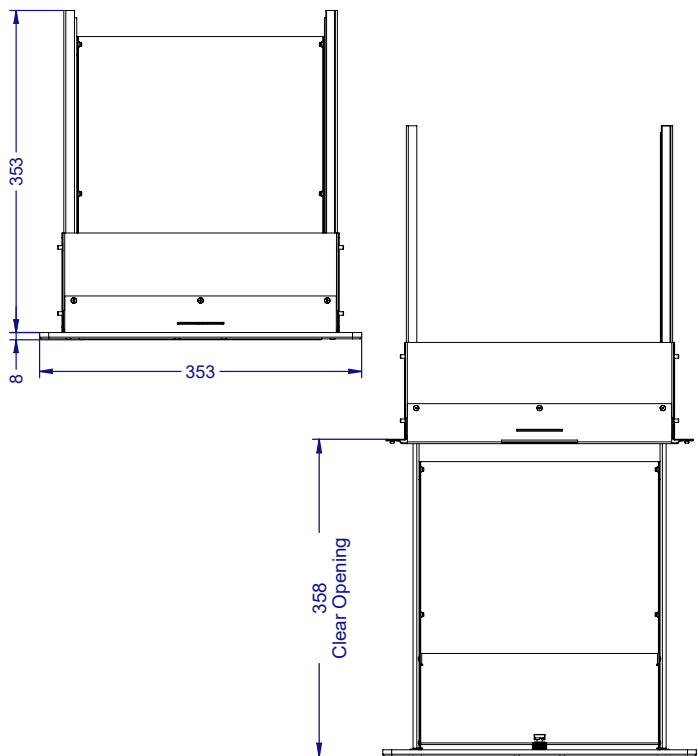
Soap Dispenser: W.228mm x H.353mm x D.195mm - 358mm drop down clearance

Paper Towel Dispenser: W.353mm x H.353mm x D.170mm - 358mm drop down clearance

Soap Dispenser



Paper Towel Dispenser



BATTERY POWERED SOAP DISPENSER - INSTALLATION

Instructions for safe use:

This appliance is not intended for use by persons (including children) with reduced physical, sensory or mental capabilities, or lack of experience and knowledge, unless they have been given supervision or instruction concerning use of the appliance by a person responsible for their safety.

Children should be supervised to ensure they do not play with the appliance or put their fingers in the openings.

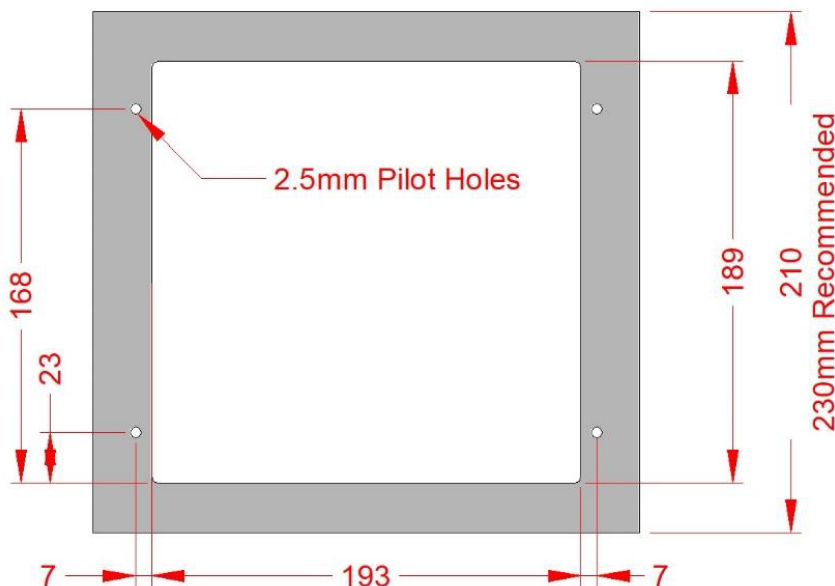
This appliance uses non-rechargeable batteries. Please do not recharge. Do not mix these batteries with lithium or other types of batteries. Do not mix old and new batteries. Always double check the position of the positive and negative connectors when installing the batteries to ensure correct polarity connection. Most batteries, except disposable alkaline, contain hazardous elements such as mercury, cadmium, and lead. Upon removal from service, immediately insulate the battery terminals securely with a non-conductive material to prevent any two batteries from short circuiting and generating heat during storage or transport.

Promptly deliver the batteries to a local recycle point or return them to the manufacturer.

Remove batteries from the compartment if the appliance is not in use or is in standby mode for a long period.

Cut out the aperture

Following the dimensions recommended below prepare the aperture in the base of the cabinet or shelf and drill 4 pilot holes as shown.

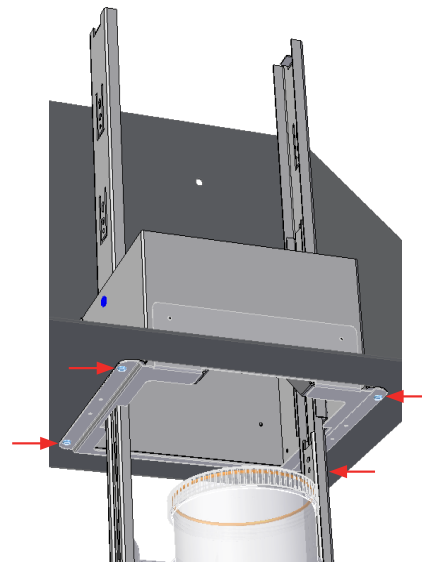


BATTERY POWERED SOAP DISPENSER - INSTALLATION

Installation

When the aperture is prepared, place the dispenser into position from underneath. Using the key provided release the pull down mechanism to reveal the base plate.

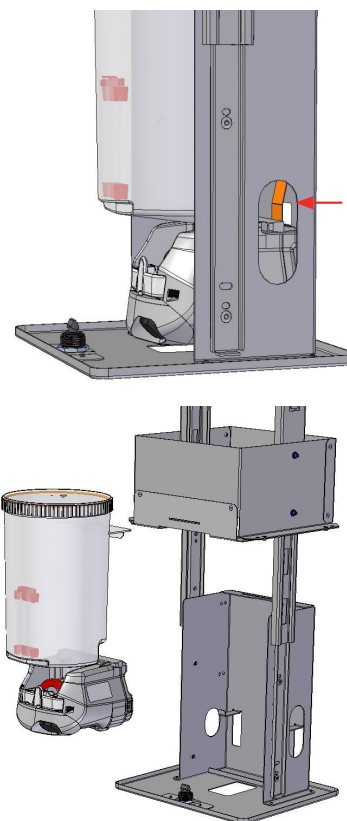
Using 4 screws (typically No.8 5/8" Wood Screws - not provided) secure the dispenser into position.



Battery Installation

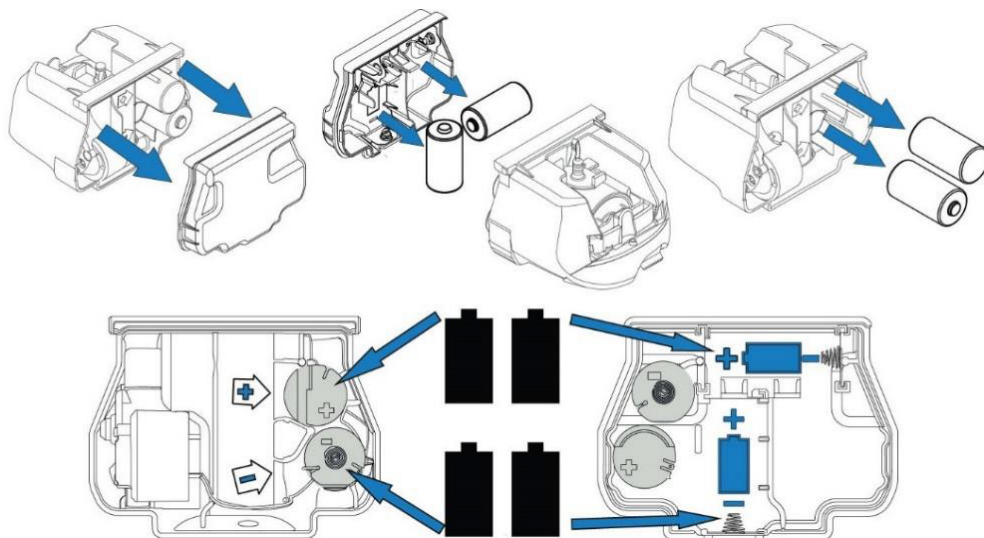
Support the base, unlock and carefully open the unit. Access and press the spring as indicated to release the pump and reservoir.

Continued overleaf...



Battery Installation

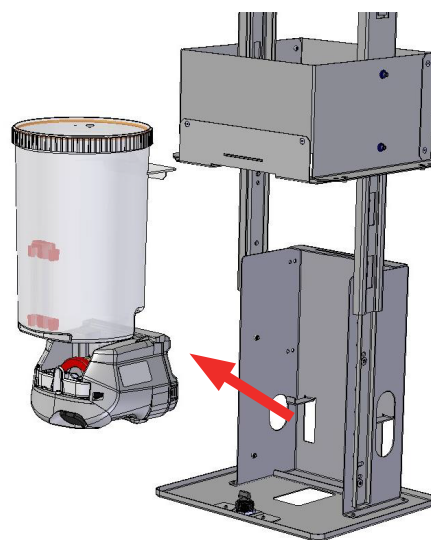
Remove the panel to the pump mechanism and replace the batteries as shown:



Once the batteries are inserted, replace the cover and refit the reservoir and pump mechanism back into the dispenser housing.

Light indicators:

A blue LED advises good battery power supply. If a red LED is showing replace the batteries.



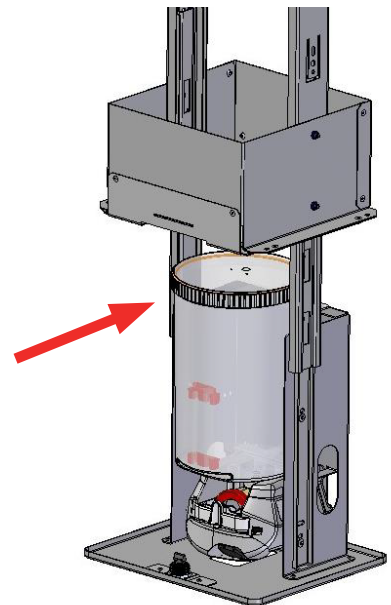
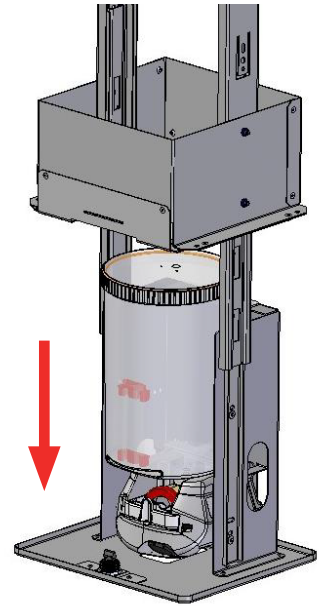
Filling & Re-Filling

Support the base, unlock and carefully slide the unit open.

Unscrew the reservoir lid and top-up with liquid soap by pouring directly into the reservoir or using the flexi-tube nozzle supplied with the dispensers. Refit the lid securely.

Close and secure the lid.

If filling for the first time prime the unit by activating the sensor a number of times until the soap dispenses.



Maintenance:

The dispenser must not be cleaned by water jet.

No special tools or accessories are required to maintain this dispenser.

Wipe down the metalwork with a clean soft damp cloth and dry with a soft dry cloth. Do not use soap, chemical cleaning detergents, bleach or abrasive cleaning materials.

Periodically the reservoir and pump should be removed and cleaned with hot water to remove any congealed soap build up.

PAPER TOWEL DISPENSER - INSTALLATION

Cut out the aperture

Following the dimensions recommended below prepare the aperture in the base of the cabinet or shelf and drill 4 pilot holes as shown.

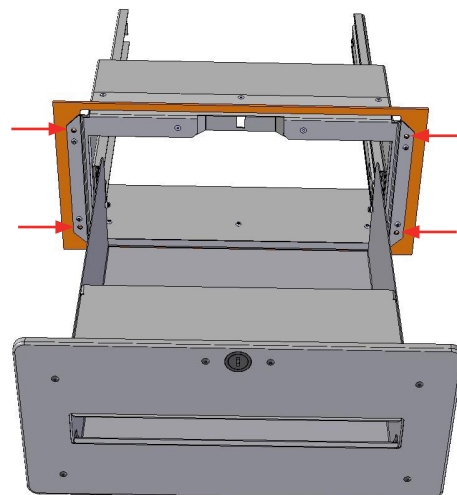


PAPER TOWEL DISPENSER - INSTALLATION

Installation

When the aperture is prepared, place the dispenser into position from underneath. Using the key provided release the pull down mechanism to reveal the base plate.

Using 4 screws (typically No.8 5/8" Wood Screws - not provided) secure the dispenser into position.

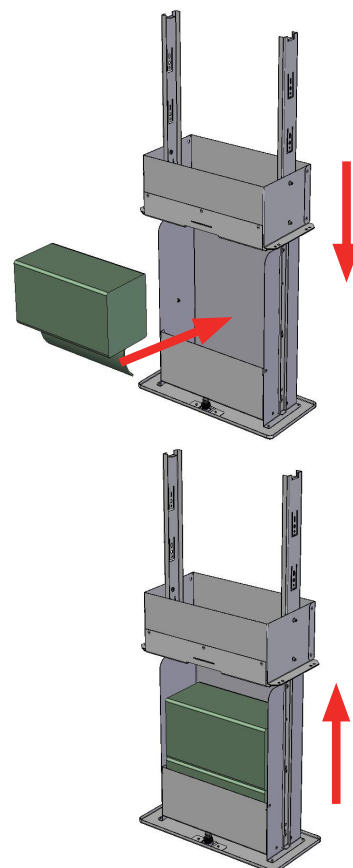


Filling & Re-Filling

Support the base, unlock and carefully slide the unit open.

Remove any paper sleeve from the towels and place into the cavity. Repeat with a second pack.

Close the dispenser by carefully pushing up the base until it locks into position.



General Maintenance & Cleaning

Dispensers

Clean surfaces with warm water and a soft cloth. Dry thoroughly DO NOT use soap, chemical cleaning detergents or abrasive cleaners.

Spare Parts

If it is necessary to replace any parts, only original spares should be used.
Contact Customers Services for more information +44 (0) 1253 738 311.

End of Life Disposal

All Dudley Industries units are manufactured to ensure longevity and a reliable life span. When a dispenser has reached its end of life it should be disposed of in a safe manner. Most components can be re-cycled in accordance with your local authority waste management policy.

Dudley Industries Ltd
Preston Road, Lytham St Annes, Lancashire. FY8 5AT

Tel: +44 (0) 1253 738311
Email: sales@dudleyindustries.com
Web: www.dudleyindustries.com

