

Installation and User Guide

Free Vend Dispenser

Applicable to products:

51036SS	Free Vend Dispenser - Brushed Stainless Steel
51036WH	Free Vend Dispenser - White Powder Coated Stainless Steel
51036BK	Free Vend Dispenser - Black Powder Coated Stainless Steel



Thank you for choosing the Dudley Industries Free Vend Dispenser.

The Free Vend Dispenser is designed and manufactured by our team at our facilities based in Lancashire, UK. All our products are designed to withstand constant use in busy environments. Our Free Vend Dispenser is supported by a 10 year warranty provided it is installed and maintained correctly and not subject to any vandalism. Products must not be modified in any way as this will invalidate the warranty.

Please follow these instructions for safe installation and pass this document to the user for safe keeping.



Safety Information

Please read these instructions thoroughly before installation and retain for future reference.

Remove all packaging and check contents for any damage prior to commencing installation. If there are any issues please contact our Customer Services Team on +44 (0) 1253 738311.

Before commencing installation and drilling into walls check that there are no hidden electrical cables or water pipes.

When using power tools always ensure you wear the correct PPE and operate following the manufacturer's instructions.



Product Features

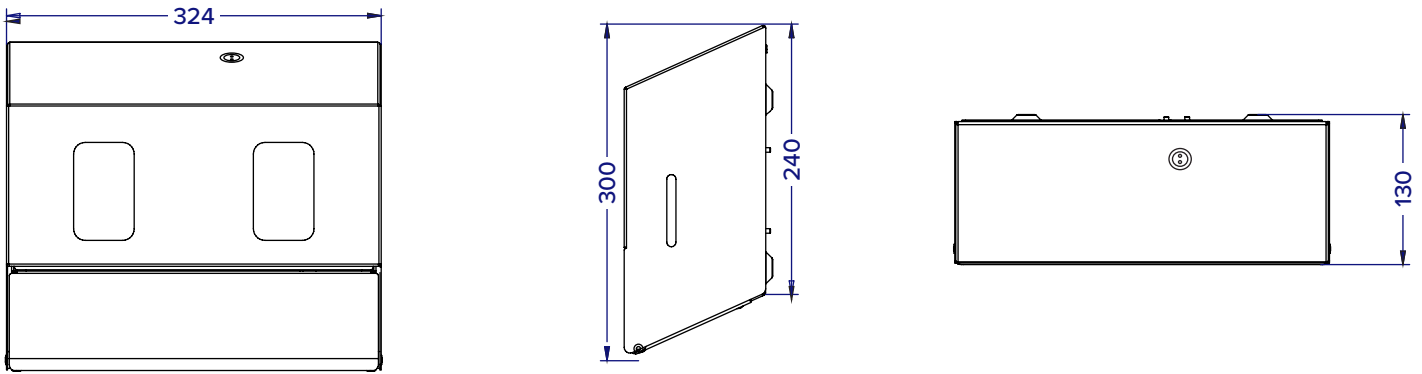
The Free Vend Dispenser provides free, easy access to essential sanitary products and is fully adaptable, accommodating a wide range of product sizes, shapes, and formats. It's design blends functionality, durability and style to deliver essential hygiene products to users in any washroom.

Unlike traditional vending machines, the Free Vend Dispenser allows for any brand or type of sanitary product, giving specifiers full control over stocking choices. This provides the freedom to source products from the most affordable and convenient suppliers, helping to reduce operational costs.

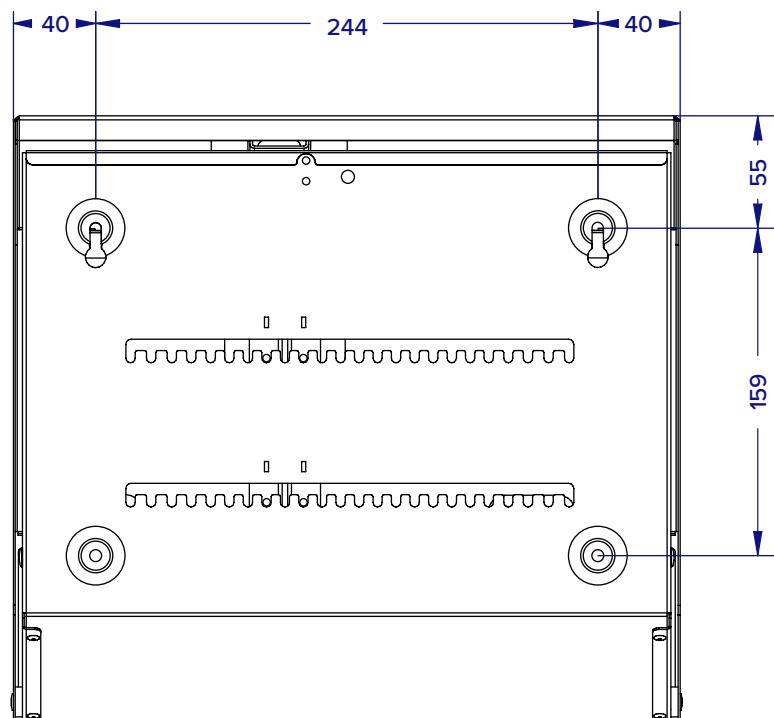
Units are manufactured in stainless steel for a stylish and durable finish with the choice of brushed or powder coated white and black finishes.

Unit Dimensions

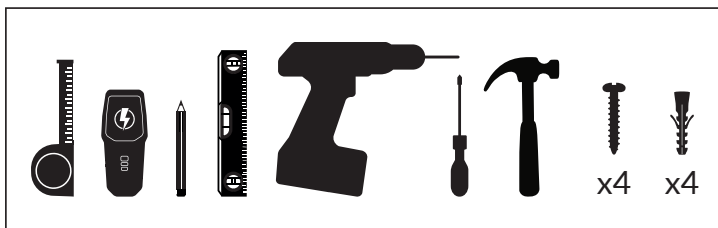
General Assembly:



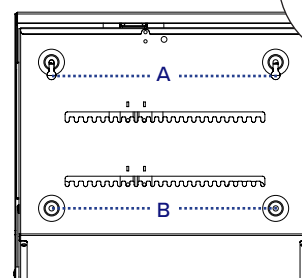
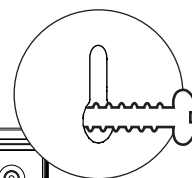
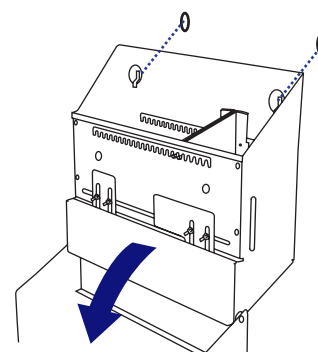
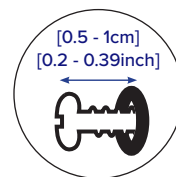
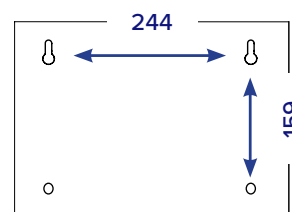
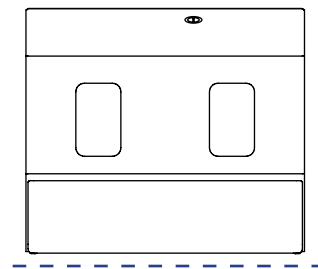
Fixing Holes:



PRODUCT INSTALLATION

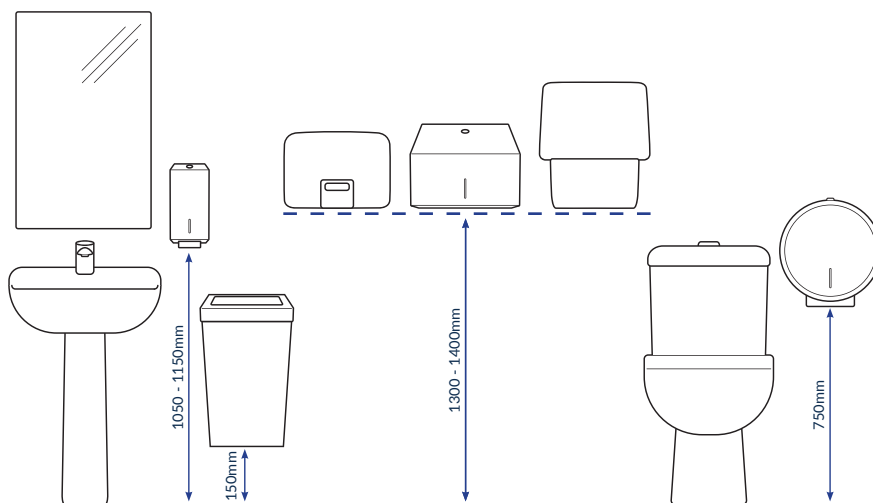


- Prior to installation ensure the correct installation height is being used based on the Installation Height Guides on page 5.
- Measure and mark the position of the fixing holes on the wall (using guide on page 3) ensuring that they are level.
- Before commencing drilling into walls check that there are no hidden electrical cables or water pipes.
- Drill holes in the wall using the appropriate size drill bit. Drill to the depth of the wall plug. If the surface is tiled, drill into the grout lines whenever possible. Insert the wall plugs supplied.
- Screw in the top two screws leaving 0.5 - 1cm (0.2 - 0.39") protruding from the wall.
- Open the dispenser and hook the top keyhole slot fixing holes (A) onto the screws in the wall.
- Insert the bottom two screws into holes (B) and tighten all four screws to secure the dispenser. We always recommend that you use all fixing holes available for strength and security.
- Fill dispenser with desired products and close the dispenser locking with key provided.
Visit [dudleyindustries.com/washroom-accessories/product/freevend-dispenser](https://www.dudleyindustries.com/washroom-accessories/product/freevend-dispenser) for information on filling the dispenser.

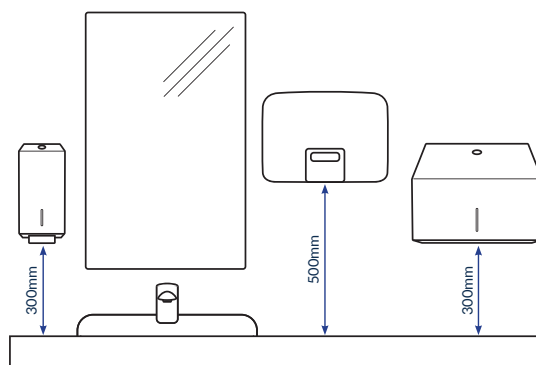


INSTALLATION HEIGHT GUIDE

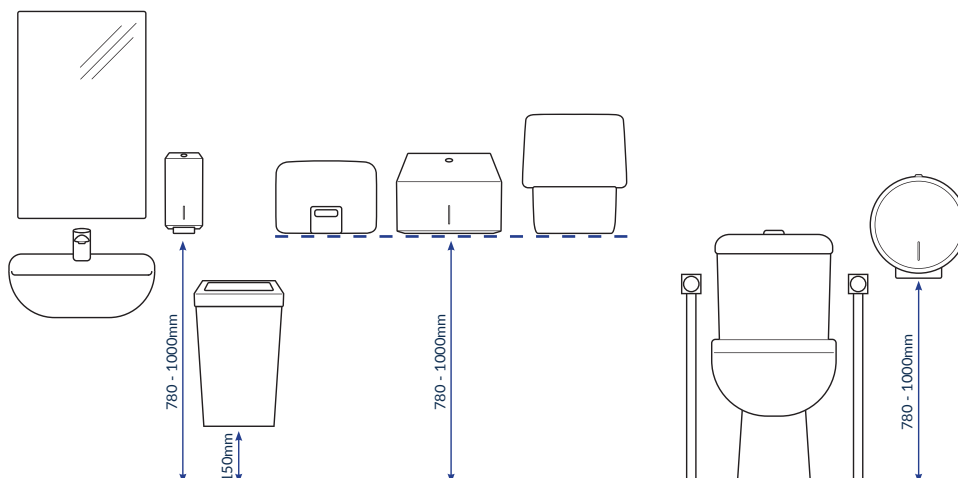
General Washrooms:



Above Counter:



Accessible Washrooms:



General Maintenance & Cleaning

Brushed Stainless Steel Units:

Clean with warm water and a soft cloth, wipe in the same direction as the brushed grain. Dry thoroughly. DO NOT use soap, chemical cleaning detergents or abrasive cleaners.

End of Life Disposal

All Dudley Industries units are manufactured to ensure longevity and a reliable life span. When the free vend dispenser has reached its end of life it should be disposed of in a safe manner. Most components can be re-cycled in accordance with your local authority waste management policy.

Dudley Industries Ltd
Preston Road, Lytham St Annes, Lancashire. FY8 5AT

Tel: +44 (0) 1253 738311
Email: sales@dudleyindustries.com
Web: www.dudleyindustries.com

