

Installation and User Guide

Modulo Behind the Mirror Hand Hygiene System

Applicable to products:

92376BK	Modulo Cabinet - 600mm
92377BK	Modulo Cabinet - 1200mm
92380/1	Modulo Cabinet Door - 600mm
92378/9	Modulo Cabinet Door - 1200mm
92392BK	Modulo Auto Soap Dispenser
92370BK	Modulo Soap Dispenser
92371BK	Modulo Auto Cut Paper Towel Dispenser
92373BK	Modulo Paper Towel Dispenser
92372BK	Modulo Hand Dryer



Thank you for choosing the Dudley Industries Modulo System.

This Behind the Mirror Hand Hygiene System is designed and manufactured by our team at our facilities based in Lancashire, UK. All our products are designed to withstand constant use in busy environments. Our Modulo Range is supported by a 10 year warranty (hand dryer 3 years) provided it is installed and maintained correctly and not subject to any vandalism. Products must not be modified in any way as this will invalidate the warranty.

Please follow these instructions for safe installation and pass this document to the user for safe keeping.



Safety Information

Please read these instructions thoroughly before installation and retain for future reference.

Remove all packaging and check contents for any damage prior to commencing installation. If there are any issues please contact our Customer Services Team on +44 (0) 1253 738311.

Before commencing installation and drilling into walls check that there are no hidden electrical cables or water pipes.

When using power tools always ensure you wear the correct PPE and operate following the manufacturer's instructions.

Product Features

The Modulo Behind the Mirror System provides washroom users with a complete hand hygiene system concealed behind a mirror.

Provides a stylish, discreet and space saving housing for washroom dispensers.

Two standard cabinet widths are available 1200mm and 600mm.

Doors are available as mirrored finish or opaque glass that stylishly shows the cabinet contents.

Multiple dispenser positioning options are available within the cabinet.

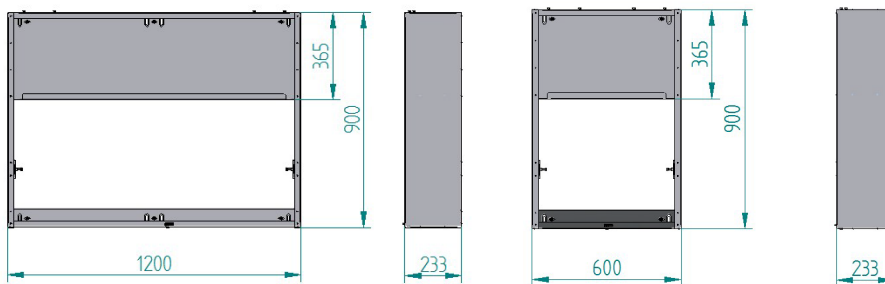
Choose from soap dispensers, paper towel dispensers and hand dryer for you perfect combination of products to suit your washroom.

Fixing kits are included with all units.

Cabinet Dimensions

1200mm Wide Cabinet: W.1200mm x H.900mm x D.233mm

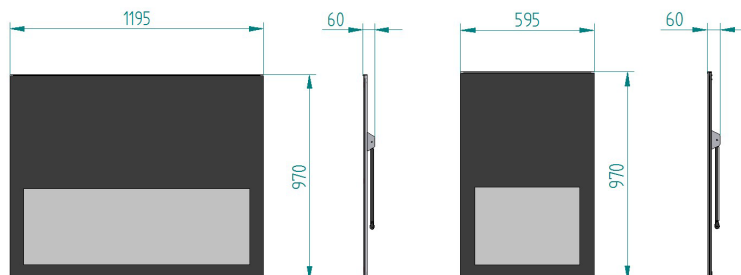
600mm Wide Cabinet: W.600mm x H.900mm x D.233mm



Cabinet Door Dimensions

1200mm Wide Cabinet: W.1195mm x H.970mm x D.60mm

600mm Wide Cabinet: W.595mm x H.970mm x D.60mm



CABINET INSTALLATION

Wall Mounting Instructions:

IMPORTANT: The cabinet is a heavy object requiring a 2 person lift.

The Modulo Cabinet should be securely fixed onto a solid wall.

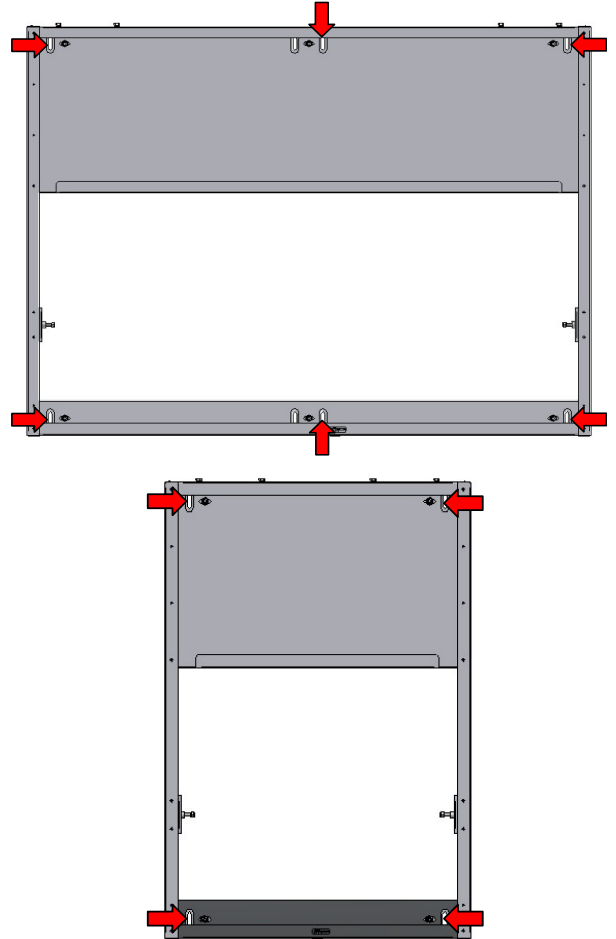
For installation, 2 x wall mounts are included with each cabinet and must be used. Direct mounting of the cabinet is not recommended.

As a minimum M6 x 70mm Anchor Bolts (not included) should be used to secure the wall mounts in position.

3 x upper and 3 x lower fixing points must be used to secure the 1200mm cabinet wall mount.

2 x upper and 2 x lower fixing points must be used to secure the 600mm cabinet wall mount.

Follow the suppliers instructions for Anchor Bolt clearance hole drill size & drilling depth.



Installation:

The lower fixing hole centres should be 1285mm (nominal) from the floor and a further 820mm (critical) between lower and upper hole centres.

50mm minimum should be left between the wall mount and any abutment (25mm shadow gap when the cabinet is fitted).

Mark out the holes using a tape measure, level & pencil.

2. Check over and around each mark with a cable detector to ensure there are no hidden pipes or electrical cables.

3. Drill Anchor Bolt clearance holes in the wall. Follow supplier instructions for correct drill size & installation. Ensure correct PPE is worn.

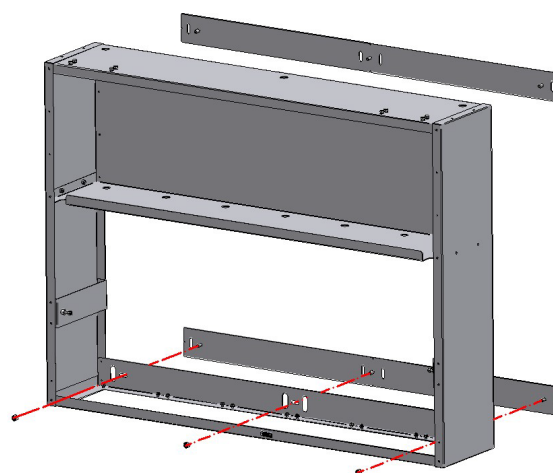
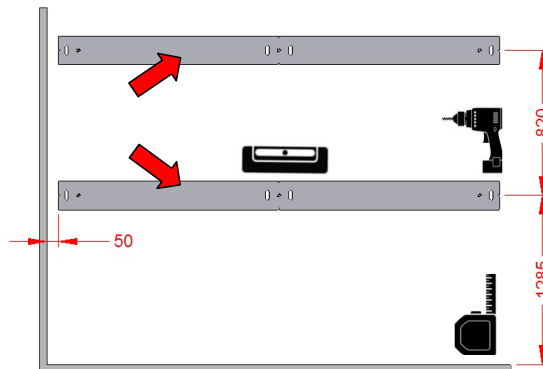
4. Position the wall mounts and securely fasten the anchor bolts.

Important: Ensure the wall mounts are secure.

5. Lift the cabinet (2 person lift) and sit onto the wall mount studs. Adjust as necessary and secure with M8 Nyloc nuts (supplied) - lower fixings shown, repeat for upper.

Important: Ensure the cabinet is secure.

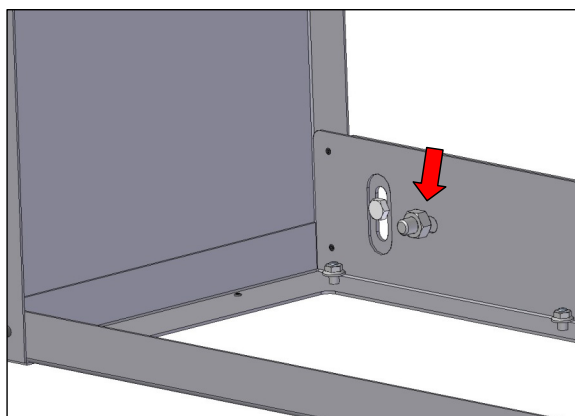
The cabinet lock, washer & nut are supplied loose. To avoid damage do not fit these until the door has been installed.



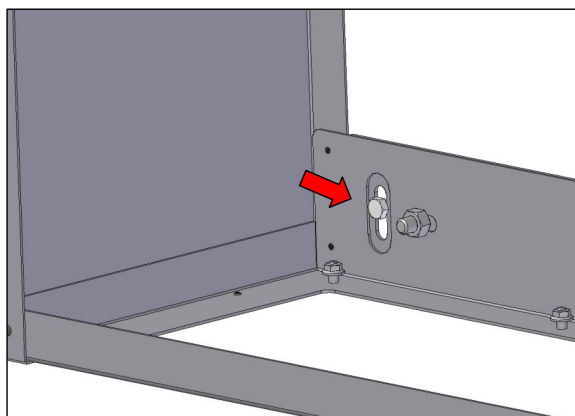
Adjustment:

Important The cabinet is a heavy object requiring a 2 person lift for any adjustment.

Lateral adjustment is carried out by slightly loosening the wall mount studs and sliding the cabinet left or right.



Vertical adjustment is carried out by slightly loosening the anchor bolts and sliding the cabinet up or down.



CABINET DOOR INSTALLATION

Important: the door is a heavy object requiring a 2 person lift.

The door should only be fitted to the cabinet once the cabinet has been securely fixed to the wall.

The hinges & gas dampers are pre-assembled on the door.

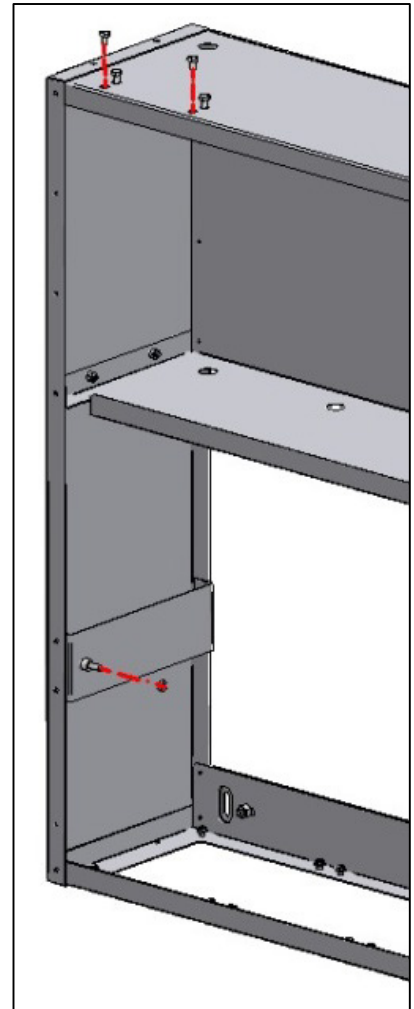
All fixings needed to install the door are included in the box.

Preparation:

Prior to fitting the door, cabinet preparation work is necessary.

On top of the cabinet you will find 4 hinge mounting screws. Remove the front 2 screws and keep to hand, loosen off the rear 2 screws (5mm gap). Repeat both sides.

Inside the cabinet you will find a gas damper mounting stud. Remove the nyloc nut and keep to hand. Repeat both sides.



CABINET DOOR INSTALLATION

Important: the door is a heavy object requiring a 2 person lift.

Lift the door and sit the hinge on top of the cabinet.

Slide the hinge plate onto the rear 2 mounting screws and re-fit the 2 front screws by hand. Repeat both sides.

Once all screws are loosely fitted securely tighten all 4 screws. Repeat both sides.

Lift and hold open the door and fit the gas damper onto the stud. Fit the nyloc nut

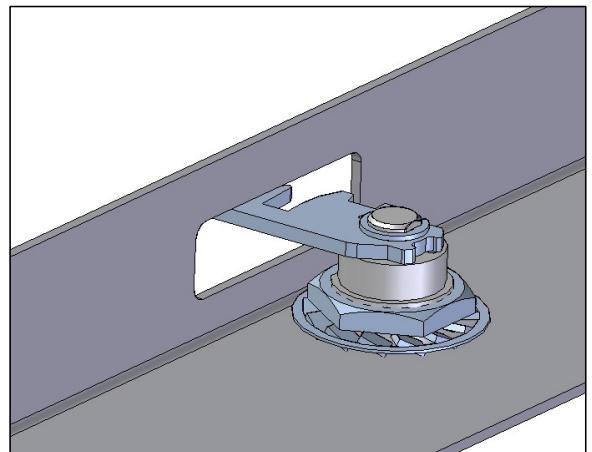
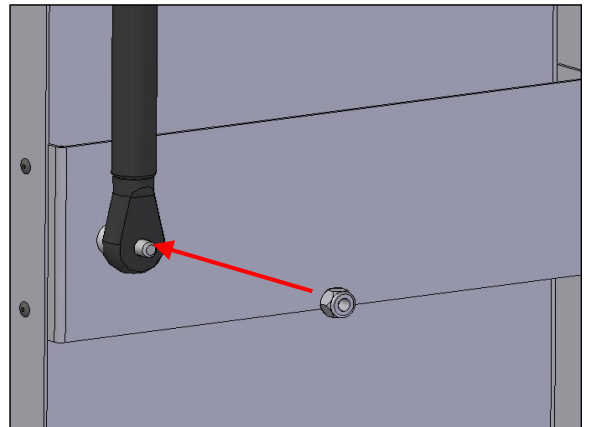
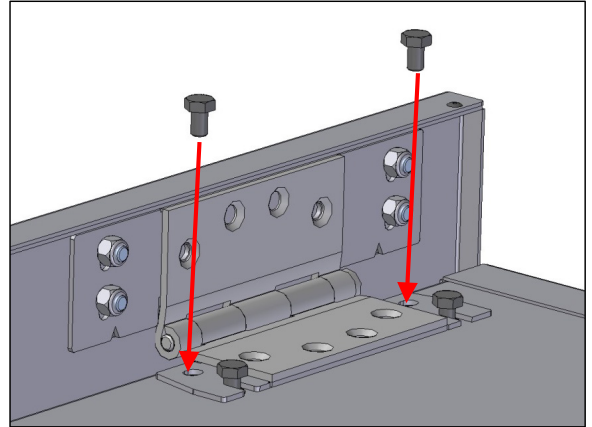
DO NOT over-tighten as the gas damper requires movement to operate. Repeat both sides.

Important: do not release hold of the door until both gas dampers are securely fitted.

The door should remain in an open state.

Fit the lock into the cabinet from the underside and secure using the lock washer & nut provided.

Close the door ensuring it latches on the cabinet lock.



DISPENSER INSTALLATION - APPLICABLE TO ALL DISPENSER TYPES

The Modulo system provides multiple options for the positioning of dispensers.

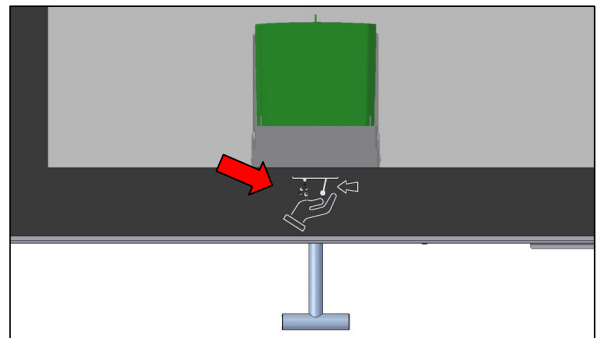
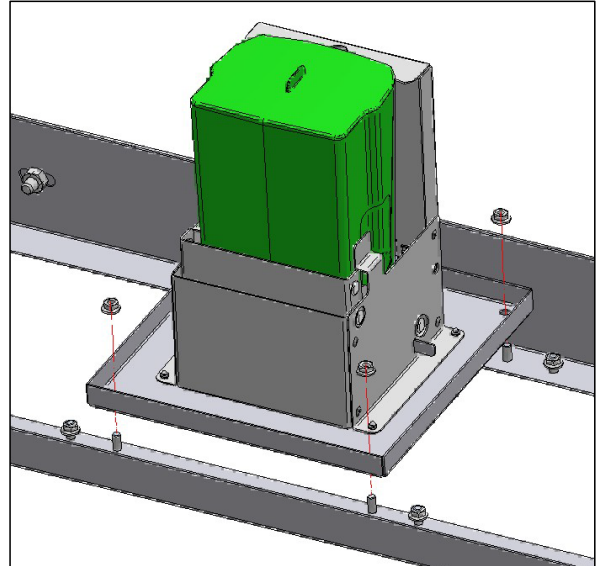
The hand dryer will require a 240V power supply. This work should be carried out by a qualified electrician.

Decide on position of dispenser.

Remove nuts from relevant studs and keep to hand.

Locate dispenser base plate and re-fit nuts securely.

Position the vinyl decal provided to the mirror front to show position of the dispenser to users.



General Maintenance & Cleaning

Mirrored and Glass Cabinet Doors

Apply mirror or glass cleaner and wipe with a soft cloth.

Cabinet & Dispensers

Clean powder painted surfaces with warm water and a soft cloth. Dry thoroughly DO NOT use soap, chemical cleaning detergents or abrasive cleaners.

End of Life Disposal

All Dudley Industries units are manufactured to ensure longevity and a reliable life span. When a wash station has reached its end of life it should be disposed of in a safe manner. Most components can be re-cycled in accordance with your local authority waste management policy.

Dudley Industries Ltd
Preston Road, Lytham St Annes, Lancashire. FY8 5AT

Tel: +44 (0) 1253 738311
Email: sales@dudleyindustries.com
Web: www.dudleyindustries.com

