

## Installation and User Guide

### Modulo Slimline Behind the Mirror Hand Hygiene System

---

Applicable to products:

92407BK	Modulo Slimline Cabinet - 600mm
92406BK	Modulo Slimline Cabinet - 1200mm
92405BK	Modulo Slimline Shelf - 600mm
92404BK	Modulo Slimline Shelf - 1200mm
92408BK	Modulo Slimline Blanking Plate - full
92409BK	Modulo Slimline Blanking Plate - half
92400BK	Modulo Slimline Auto Soap Dispenser - Battery
92401BK	Modulo Slimline Auto Soap Dispenser - Mains Powered
92402BK	Modulo Slimline Paper Towel Dispenser
82403BK	Modulo Slimline Hand Dryer



## Thank you for choosing the Dudley Industries Modulo Slimline System.

This Behind the Mirror Hand Hygiene System is designed and manufactured by our team at our facilities based in Lancashire, UK. All our products are designed to withstand constant use in busy environments. Our Modulo Slimline range is supported by a 10 year warranty (hand dryer 3 years) provided it is installed and maintained correctly and not subject to any vandalism. Products must not be modified in any way as this will invalidate the warranty.

Please follow these instructions for safe installation and pass this document to the user for safe keeping.



## Safety Information

Please read these instructions thoroughly before installation and retain for future reference.

Remove all packaging and check contents for any damage prior to commencing installation. If there are any issues please contact our Customer Services Team on +44 (0) 1253 738 311.

Before commencing installation and drilling into walls check that there are no hidden electrical cables or water pipes.

When using power tools always ensure you wear the correct PPE and operate following the manufacturer's instructions.

## Product Features

The Modulo Slimline Behind the Mirror System provides washroom users with a complete hand hygiene system concealed behind a mirror.

It provides a stylish, discreet and space saving housing for washroom dispensers.

Two standard cabinet widths are available 1200mm and 600mm.

Cabinet doors provide a vital washroom mirror. Multiple dispenser positioning options are available within the cabinet.

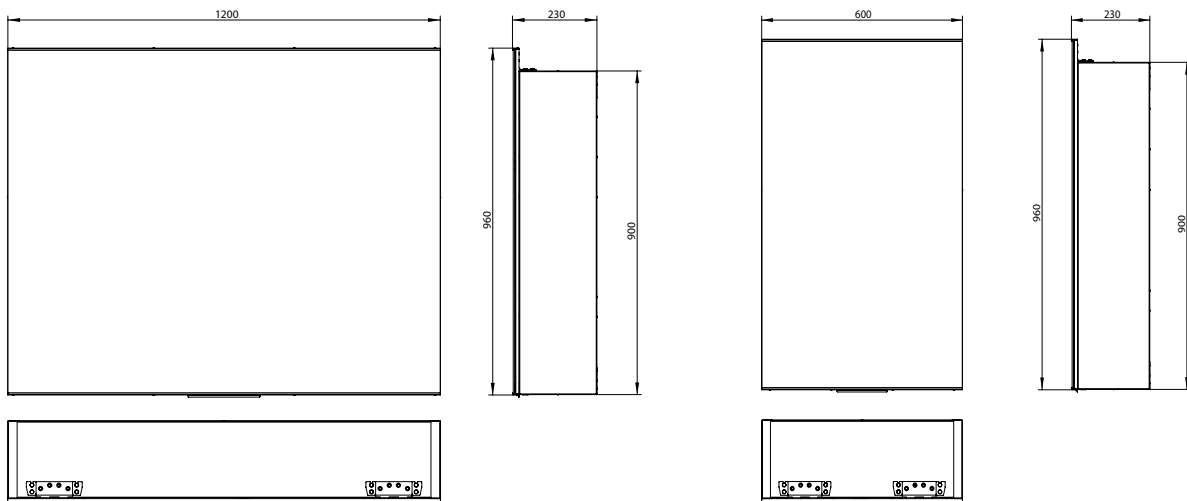
Choose from soap dispensers, paper towel dispenser and hand dryer for you perfect combination of products to suit your washroom.

Base shelf only options are also available for bespoke installations.

## Cabinet Dimensions

1200mm Wide Cabinet: W.1200mm x H.900mm x D.230mm

600mm Wide Cabinet: W.600mm x H.900mm x D.230mm



## CABINET INSTALLATION

### Wall Mounting Instructions:

**IMPORTANT:** The cabinet is a heavy object requiring a 2 person lift.

The Modulo Slimline Cabinet should be securely fixed onto a solid wall.

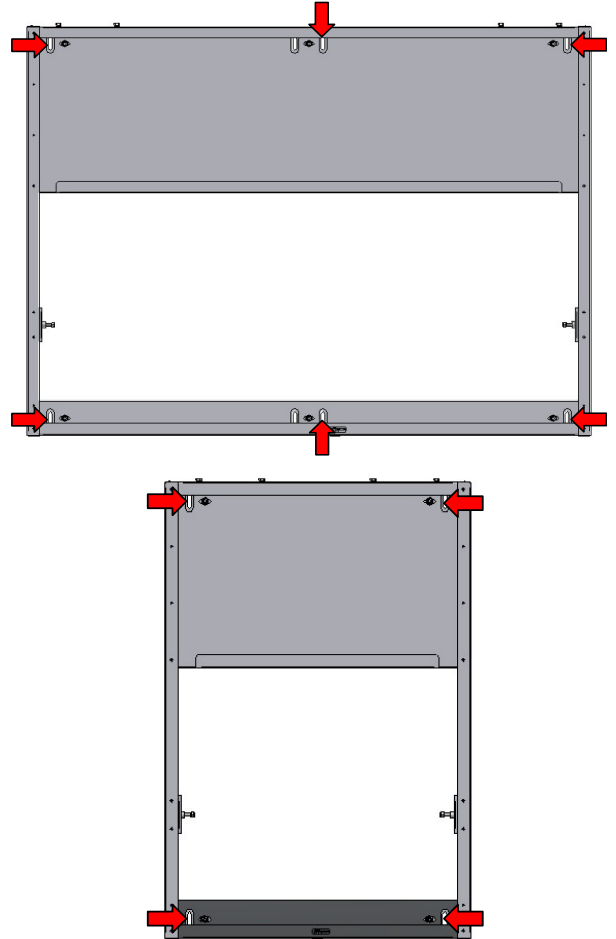
For installation, 2 x wall mounts are included with each cabinet and must be used. Direct mounting of the cabinet is not recommended.

As a minimum M6 x 70mm Anchor Bolts (not included) should be used to secure the wall mounts in position.

3 x upper and 3 x lower fixing points must be used to secure the 1200mm cabinet wall mount.

2 x upper and 2 x lower fixing points must be used to secure the 600mm cabinet wall mount.

Follow the suppliers instructions for Anchor Bolt clearance hole drill size & drilling depth.



## Installation:

The lower fixing hole centres should be 1285mm (nominal) from the floor and a further 820mm (critical) between lower and upper hole centres.

50mm minimum should be left between the wall mount and any abutment (25mm shadow gap when the cabinet is fitted).

Mark out the holes using a tape measure, level & pencil.

2. Check over and around each mark with a cable detector to ensure there are no hidden pipes or electrical cables.

3. Drill Anchor Bolt clearance holes in the wall. Follow supplier instructions for correct drill size & installation. Ensure correct PPE is worn.

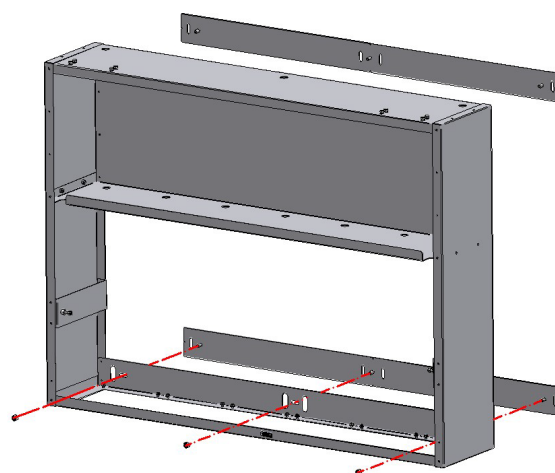
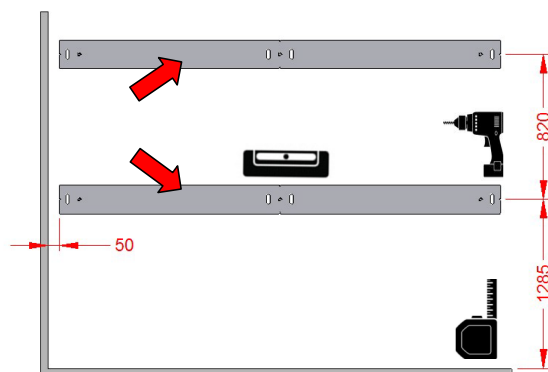
4. Position the wall mounts and securely fasten the anchor bolts.

**Important:** Ensure the wall mounts are secure.

5. Lift the cabinet (2 person lift) and sit onto the wall mount studs. Adjust as necessary and secure with M8 Nyloc nuts (supplied) - lower fixings as shown, repeat for upper bracket.

**Important:** Ensure the cabinet is secure.

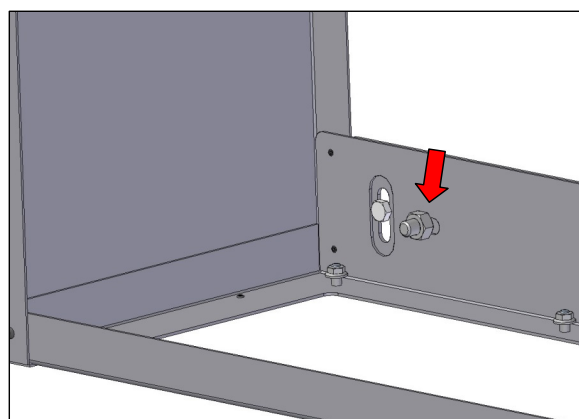
The cabinet lock, washer & nut are supplied loose. To avoid damage do not fit these until the door has been installed.



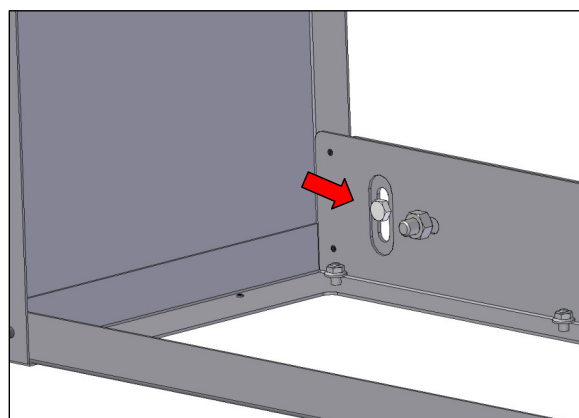
## Adjustment:

**Important** The cabinet is a heavy object requiring a 2 person lift for any adjustment.

**Lateral** adjustment is carried out by slightly loosening the wall mount studs and sliding the cabinet left or right.



**Vertical** adjustment is carried out by slightly loosening the anchor bolts and sliding the cabinet up or down.



## CABINET DOOR INSTALLATION

**Important:** the door is a heavy object requiring a 2 person lift.

The door should only be fitted to the cabinet once the cabinet has been securely fixed to the wall.

The hinges & gas dampers are pre-assembled on the door.

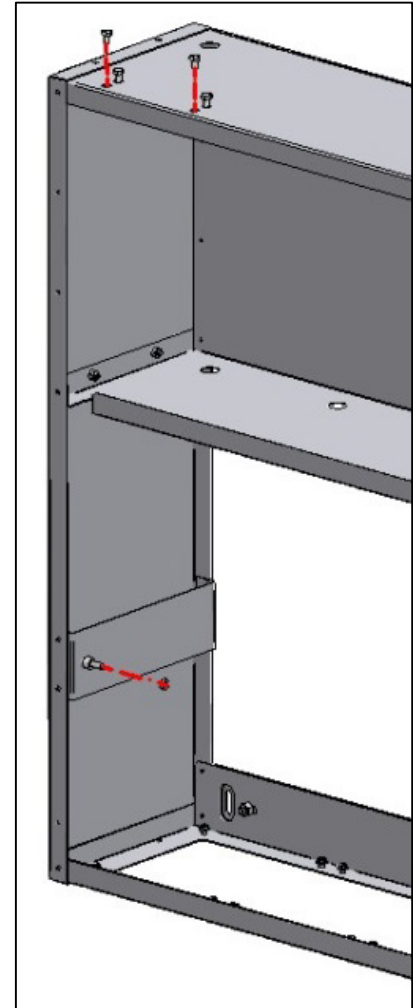
All fixings needed to install the door are included in the box.

### Preparation:

Prior to fitting the door, cabinet preparation work is necessary.

On top of the cabinet you will find 4 hinge mounting screws. Remove the front 2 screws and keep to hand, loosen off the rear 2 screws (5mm gap). Repeat both sides.

Inside the cabinet you will find a gas damper mounting stud. Remove the nyloc nut and keep to hand. Repeat both sides.



## CABINET DOOR INSTALLATION

**Important:** the door is a heavy object requiring a 2 person lift.

Lift the door and sit the hinge on top of the cabinet.

Slide the hinge plate onto the rear 2 mounting screws and re-fit the 2 front screws by hand. Repeat both sides.

Once all screws are loosely fitted securely tighten all 4 screws. Repeat both sides.

Lift and hold open the door and fit the gas damper onto the stud. Fit the nyloc nut

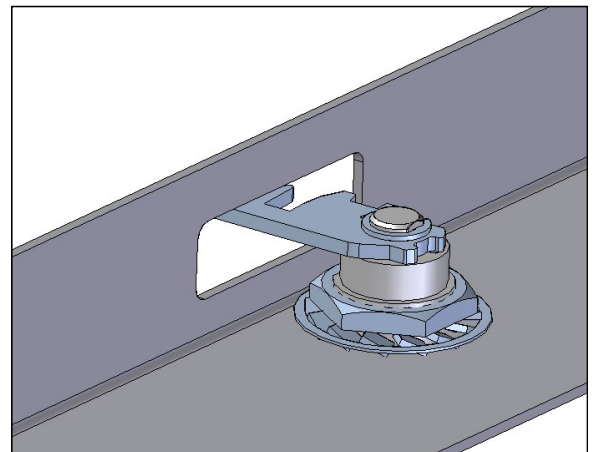
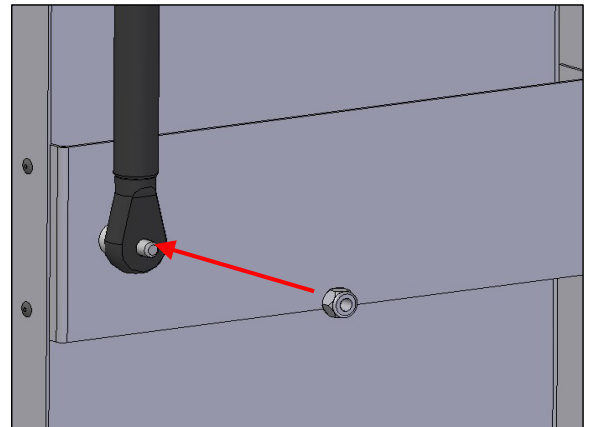
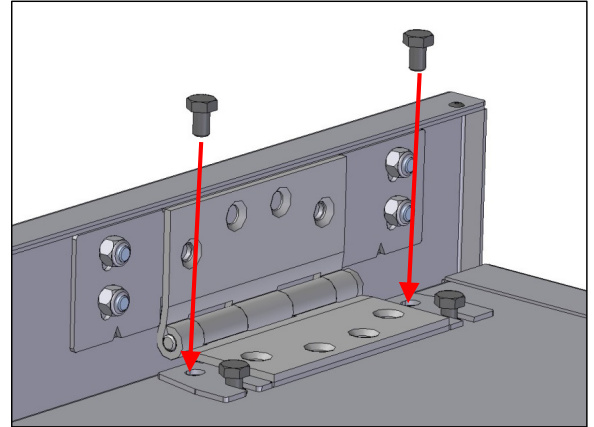
DO NOT over-tighten as the gas damper requires movement to operate. Repeat both sides.

**Important:** do not release hold of the door until both gas dampers are securely fitted.

The door should remain in an open state.

Fit the lock into the cabinet from the underside and secure using the lock washer & nut provided.

Close the door ensuring it latches on the cabinet lock.





## DISPENSER INSTALLATION - APPLICABLE TO ALL DISPENSER TYPES

The Modulo Slimline system provides multiple options for the positioning of dispensers.

The hand dryer will require a 240V power supply. This work should be carried out by a qualified electrician.

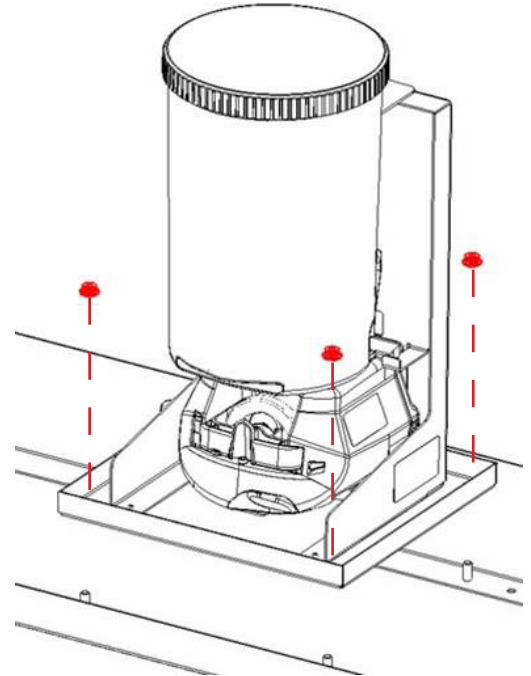
The mains powered soap requires a plug socket, again this work should be carried out by a qualified electrician. It is good practice to ensure the socket is at least 1 metre away from basins and sinks and ideally located safely within the cabinet.

Decide on position of dispensers.

Remove nuts from relevant studs and keep to hand.

Locate dispenser base plate and re-fit nuts securely.

Position the vinyl decal provided to the mirror front to show the position of the dispenser to users.



## MAINS POWERED SOAP DISPENSER INSTALLATION

### Instructions for safe use:

**This dispenser must only be used in conjunction with the Modulo Slimline cabinet or a similar lockable cabinet so that only the soap dispensing area is exposed when in use. It must not be fitted in isolation.**

This dispenser is not suitable for outside use.

This dispenser must not be used in isolation or in an area where a water jet could be used.

Intended for use with the supplied 5V DC adaptor only.

This dispenser is not intended for use by persons (including children) with reduced physical, sensory or mental capabilities, or lack of experience and knowledge, unless they have been given supervision or instruction concerning use of the dispenser by a person responsible for their safety.

Children should be supervised to ensure they do not play with the dispenser or put their fingers in the openings.

For information purposes the noise level of this dispenser is below 70db

For safe operation, this dispenser must be installed on a flat, level surface and should not be tilted.

Mains connection - this dispenser is intended for use with the supplied 5V DC plug in adaptor only.

Mains disconnection (after installation) - unplugging or switching off at a switched plug socket.

The recommended ambient temperature for correct operation is between +40 / -5°C.

The Modulo Slimline cabinet system provides the necessary fixing points, clearance between parts and adequate ventilation for safe operation.

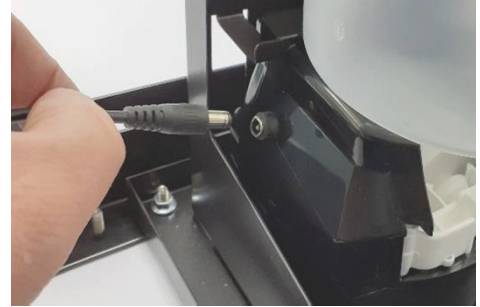


**Installation:**

**Modulo Slimline Cabinet:**

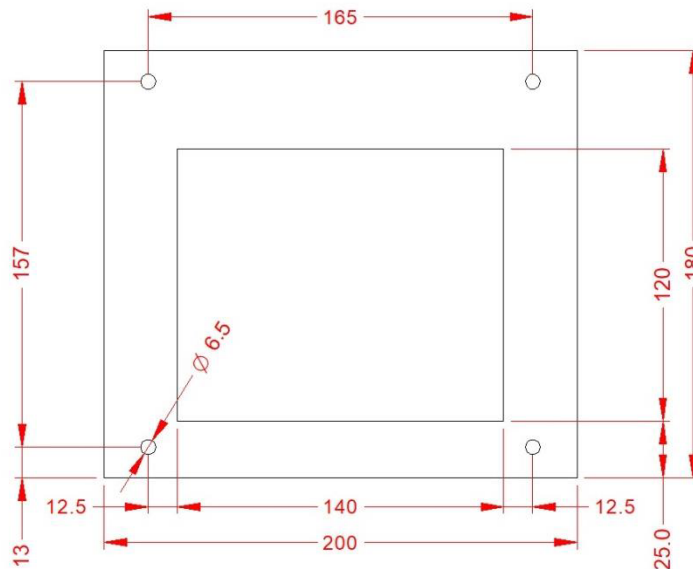
Choose the preferred position within the cabinet, place the dispenser over the studs and fix into place with 4 x M5 flange nuts provided in the cabinet.

Connect the adaptor jack plug into the dispenser, route the cable and connect to the mains using the 5V DC plug adaptor provided. Ensure the cable is adequately secured and there is no risk of snagging.



**Bespoke (Self Built) Cabinet:**

If the dispenser is to be fitted in a similar lockable cabinet, there should be a minimum clear height of 500mm to allow access for topping up the soap, a minimum clear width of 200mm and minimum clear depth of 180mm. See the diagram below for fixing hole and cutout positions.

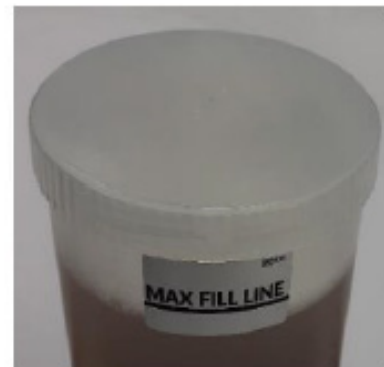


The dispenser should be securely fixed onto the cabinet base plate, it is the installers responsibility to use appropriate fixings for the substrate into which it is being fitted.

**Filling and re-filling:**

To fill, remove the reservoir lid, fill with your choice of soap and replace the lid.

If filling for the first time prime the unit by activating the sensor a number of times until the soap dispenses.



**Maintenance:**

Before any maintenance is carried out the dispenser should be disconnected from the mains power by unplugging or switching off at the plug socket.

The dispenser must not be cleaned by water jet.

No special tools or accessories are required to maintain this dispenser.

Wipe down the metalwork with a clean soft damp cloth and dry with a soft dry cloth. Do not use soap, chemical cleaning detergents, bleach or abrasive cleaning materials.

Periodically the reservoir and pump should be removed and cleaned with hot water to remove any congealed soap build up.

To remove pump and reservoir, first disconnect from the mains, press the white spring retaining lever and lift the reservoir upwards.

To refit the pump and reservoir ensure the pump button is located correctly in the mechanism and press down into position, ensuring the reservoir upper clips into the upper framework. Switch on at the mains.



## BATTERY POWERED SOAP DISPENSER INSTALLATION

### Installation:

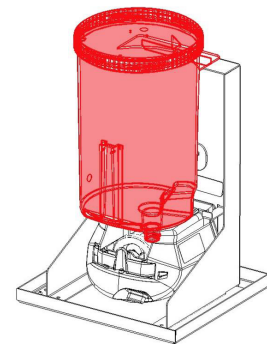
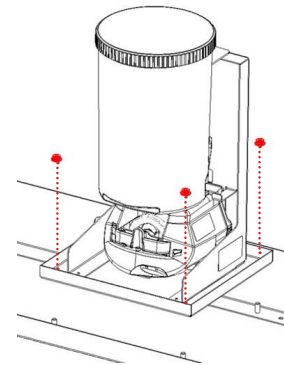
Place the batteries into the compartment ensure they are positioned correctly.

Choose the preferred position within the cabinet, place the dispenser over the studs and fix into place with 4 x nuts.

### Filling and re-filling:

To fill, remove the reservoir lid, fill with your choice of soap and replace the lid.

If filling for the first time prime the unit by activating the sensor a number of times until the soap dispenses.



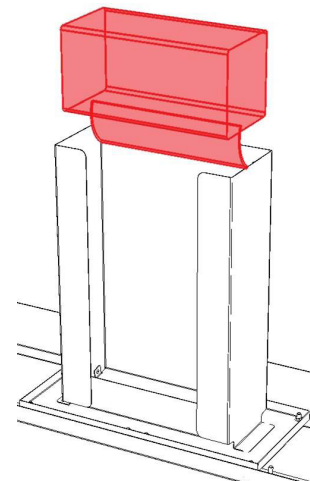
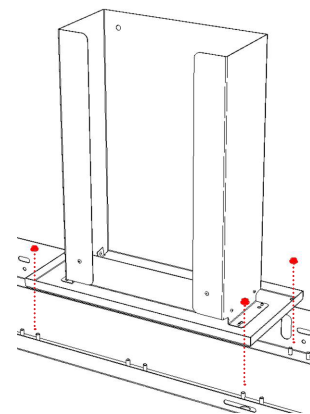
## PAPER TOWEL DISPENSER INSTALLATION

### Installation:

Choose the preferred position within the cabinet, place the dispenser over the studs and fix into place with 4 x nuts.

### Filling and re-filling:

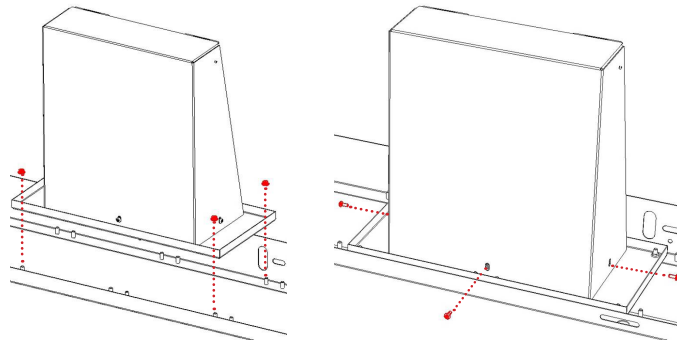
Remove the paper sleeve from the paper towel pack (if there is one) and simply place the towels into the unit. Release the bottom towel so that it is visible below the unit. If towels are interleaved the next paper towel should always be visible to users.



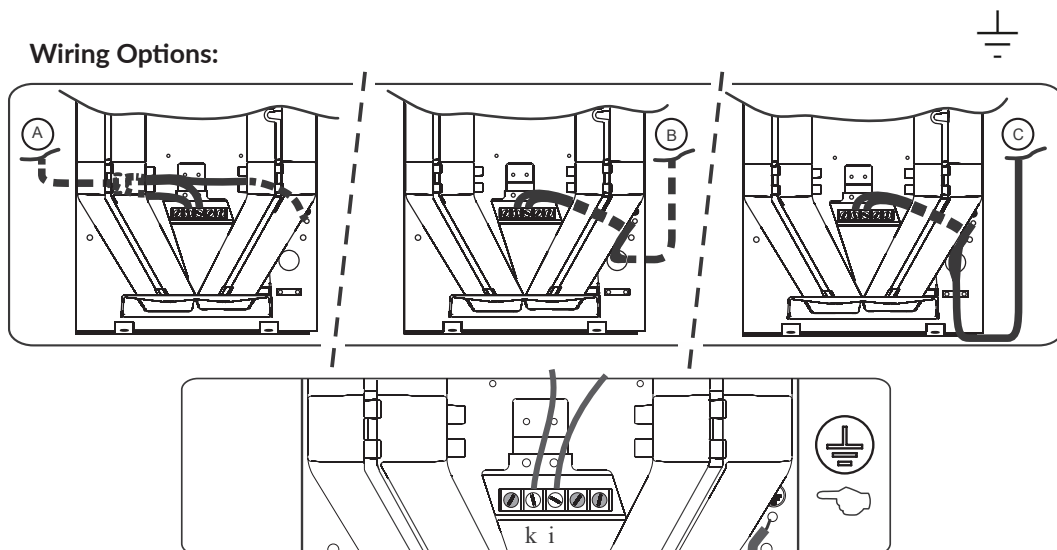
## HAND DRYER INSTALLATION

Choose preferred position within the cabinet, place the dryer over the studs and fix into place with 4 x nuts.

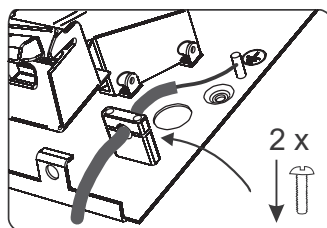
Remove 3 screws from the sides of the unit and remove the cover.



Following the wiring diagrams connect the ground/earth to the terminal marked with the ground symbol, the Live supply to terminal marked (L), and the Neutral supply to the terminal marked (N).



Connect the cable clamp.



Replace the cover and secure in place by the 3 screws.

---

## FURTHER INFORMATION RELATING TO THE MODULO SLIMLINE HAND DRYER

### IMPORTANT

This appliance can be used by children aged from 8 years and above and persons with reduced physical, sensory or mental capabilities or lack of experience and knowledge if they have been given supervision or instruction concerning use of the appliance in a safe way and understand the hazards involved. Children shall not play with the appliance.

Suitable for indoor use only, not suitable for outdoor use.

### Prior to Installation

This Hand Dryer is intended for connection to fixed wiring.

A fused means for disconnection in all poles must be provided in the fixed wiring in accordance with the wiring rules. Check that the electrical rating shown on the Hand Dryer (rating label) is compatible with the electrical supply.

**WARNING: THIS PRODUCT MUST BE EARTHED.**

Installation must be supervised by a qualified electrician.

Installation and wiring must conform to current IEE Regulations (UK), local or appropriate regulation (other countries). Connect the ground / earth supply to the terminal marked, the Live supply to the terminal marked (L) and the Neutral supply to the terminal marked (N).

Check that the electrical rating shown on the Hand Dryer (rating label) is compatible with the electrical supply.

**PLEASE NOTE:** The hand dryer is not adjustable, however a retrofit adjuster plate is supplied separately to reduce the sensitivity of the sensor. This is supplied loose in the packaging carton.

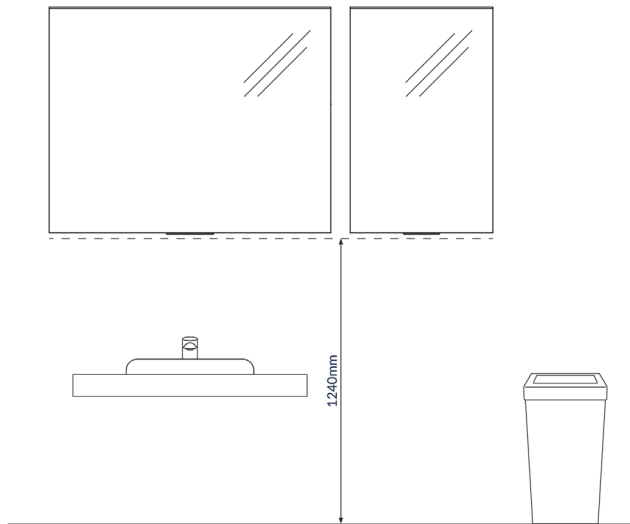
### Hand Dryer Maintenance

Every 6 months (or more frequently if in a dusty environment) the inlet and outlet grilles should be cleaned with a small brush to remove accumulated debris.

### Hand Dryer Troubleshooting

If a fault develops disconnect the electrical supply, a qualified electrician should be called and undertake any repair work required. This should not be undertaken by anyone that is not competent.

## INSTALLATION HEIGHT GUIDE



### General Maintenance & Cleaning:

#### Mirrored Cabinet Doors

Apply mirror or glass cleaner and wipe with a soft cloth.

#### Cabinet & Dispensers

Clean powder painted surfaces with warm water and a soft cloth. Dry thoroughly DO NOT use soap, chemical cleaning detergents or abrasive cleaners.

### Spare Parts

If it is necessary to replace any parts, only original spares should be used. Contact Customers Services for more information +44 (0) 1253 738 311.

### End of Life Disposal

All Dudley Industries units are manufactured to ensure longevity and a reliable life span. When a dispenser has reached its end of life it should be disposed of in a safe manner. Most components can be re-cycled in accordance with your local authority waste management policy.

Dudley Industries Ltd  
Preston Road, Lytham St Annes, Lancashire. FY8 5AT



Tel: +44 (0) 1253 738311  
Email: sales@dudleyindustries.com  
Web: www.dudleyindustries.com