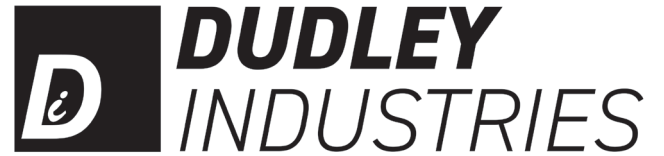


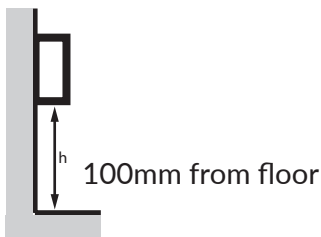
Toilet Brush Holder



Product Description:

- Toilet brushes are an essential hygiene tool in the washroom.
- Manufactured from durable stainless steel with an attractive brushed finish.
- The sleek cylindrical design will suit every cubicle and washroom decor.
- The brush is easily placed into the holder.
- Available as free standing unit or wall-mounted.
- Brush component can be replaced when required.

Recommended installation height:

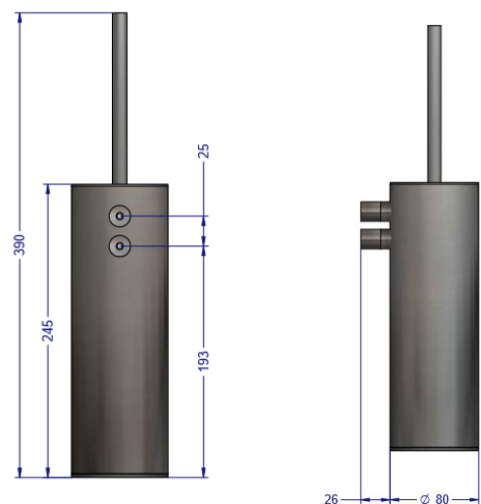


Available finishes:



Brushed
Stainless Steel

Material:	Stainless Steel / Plastic Liner
Dimensions:	H.390mm x Dia.80mm Fixings + 26mm to depth
Packing/Carton:	1 piece
Finish:	Brushed



Dudley Industries Ltd
Preston Road, Lytham St Annes, Lancashire. FY8 5AT

Tel: +44 (0) 1253 738311
Email: sales@dudleyindustries.com
Web: www.dudleyindustries.com

