

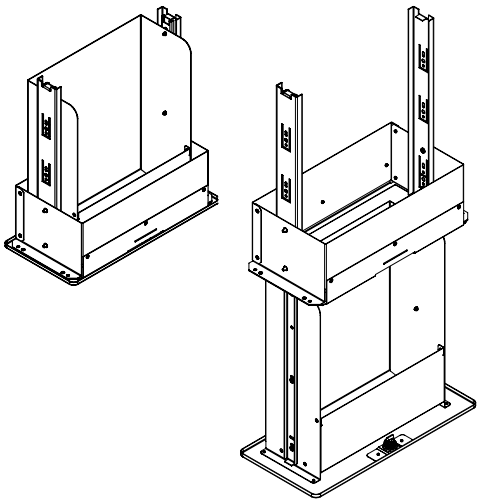
## Technical Data Sheet

### Classic Behind the Mirror Range Pull Down Paper Towel Dispenser

---

Applicable to products:

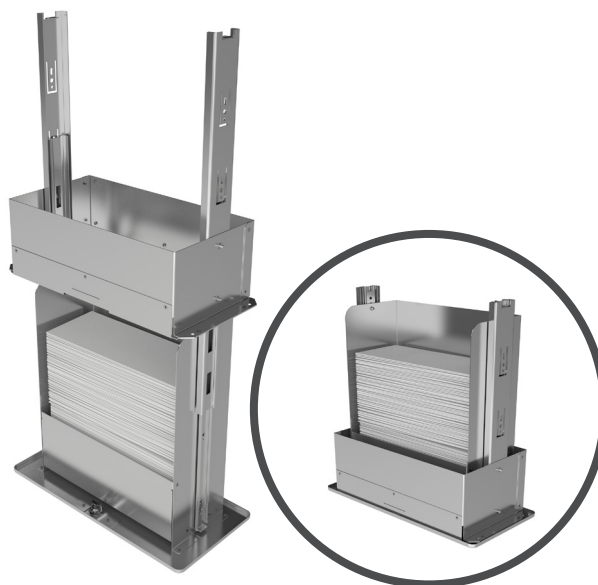
92070SS     Classic Behind the Mirror Pull Down Paper Towel Dispenser



---

Paper Towel dispenser with large capacity, for discrete installation behind a mirror or cabinet. Conveniently pulls down below the unit for ease of refilling.

Product Image:



Product Description:

- Large capacity paper towel dispenser ideal for busy washrooms
- Holds 2 standard packs of interleaved paper towels
- Maximum size of paper towel 270mm x 120mm when folded
- Chamber pulls down from the base of the cabinet for quick and easy to refilling
- Base securely locks into position to secure the consumables
- Co-ordinating Soaps Dispensers also available
- Manufactured from hygienic stainless steel

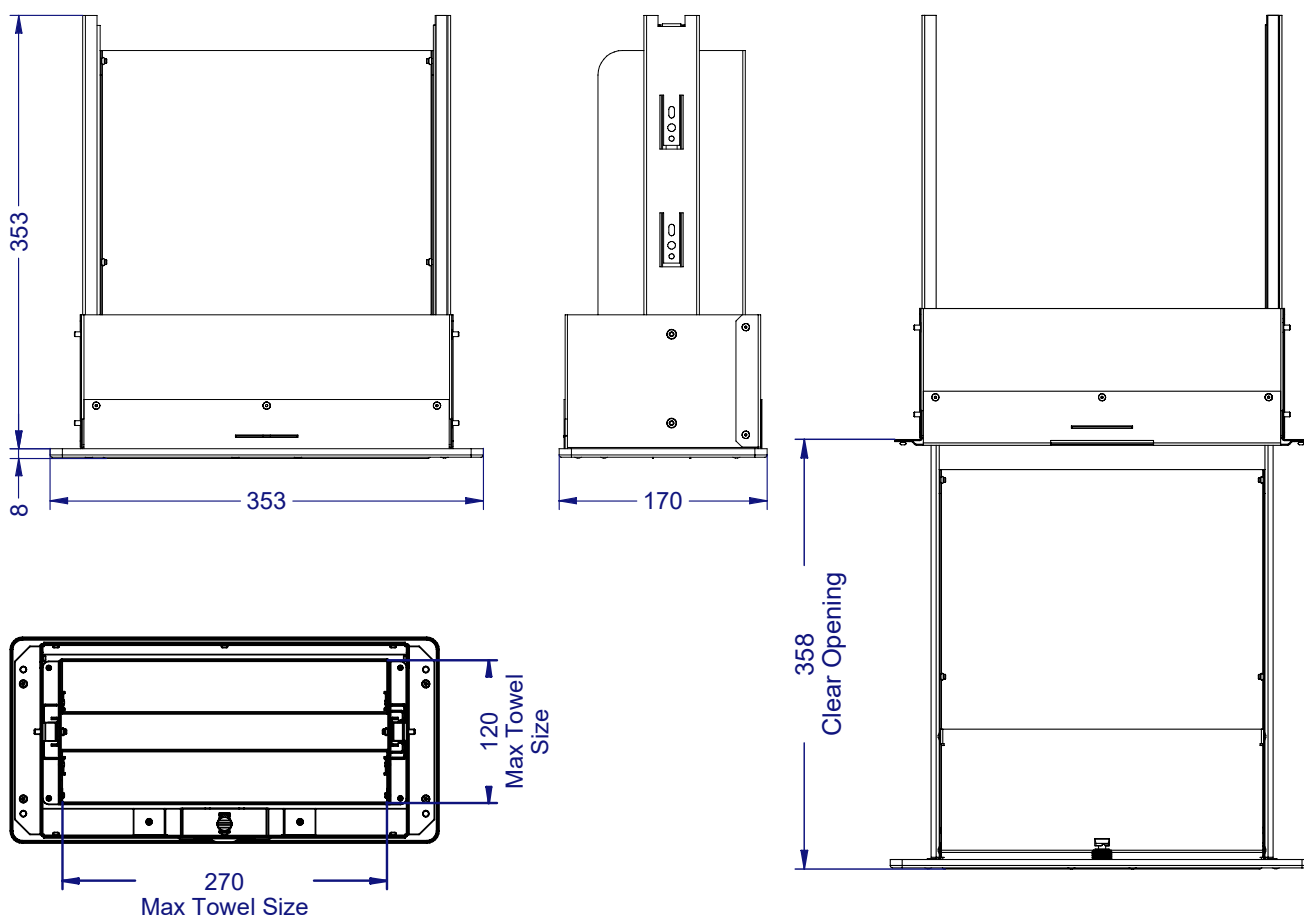
Installation options:

- Suitable for installation into bespoke cabinetry, full installation guidelines are available separately
- The dispenser is fixed into place using 4 base panel fixings

Product Specification:

<b>Material:</b>	Stainless Steel
<b>Dimensions:</b>	Closed: W.353mm x H.353mm x D.170mm Base panel depth below unit: 8mm Pull Down allowance needed below unit: 358mm
<b>Finish:</b>	Natural Stainless Steel
<b>Packing/Carton:</b>	1 piece
<b>Warranty:</b>	10 years

Line Drawing:



Dudley Industries Ltd  
Preston Road, Lytham St Annes, Lancashire. FY8 5AT



Tel: +44 (0) 1253 738311  
Email: sales@dudleyindustries.com  
Web: www.dudleyindustries.com