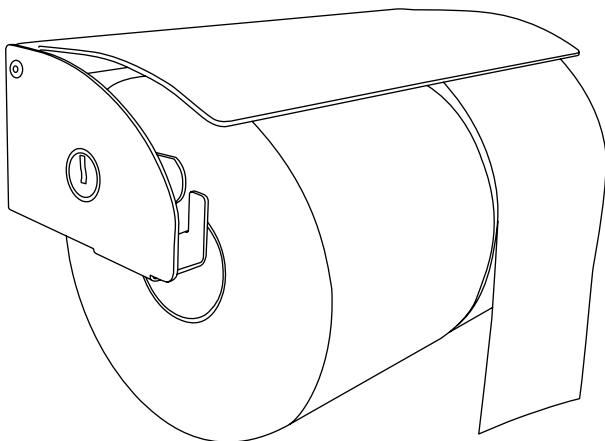


Technical Data Sheet

Classic Range Double Toilet Roll Holder

Applicable to products:

77982SS	Double Toilet Roll Holder - Brushed
77982WH	Double Toilet Roll Holder - White Powder Coated
77982BK	Double Toilet Roll Holder - Black Powder Coated



Stainless Steel holder for two standard toilet rolls.

Product Image:



Product Description:

- Protects the top of the roll from water splashes.
- Larger dispenser, perfect for busy washrooms.
- Easy to replace roll.
- Locking mechanism secures and protects the toilet rolls from pilfering.

Available Finishes:

Brushed or powder coated

Available for specification at:



NBS Source
PARTNER

bimobject[®]

Technical Data Sheet

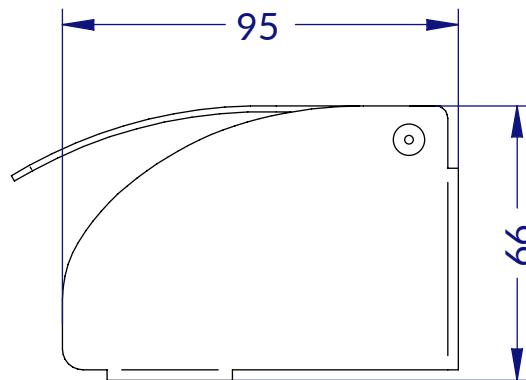
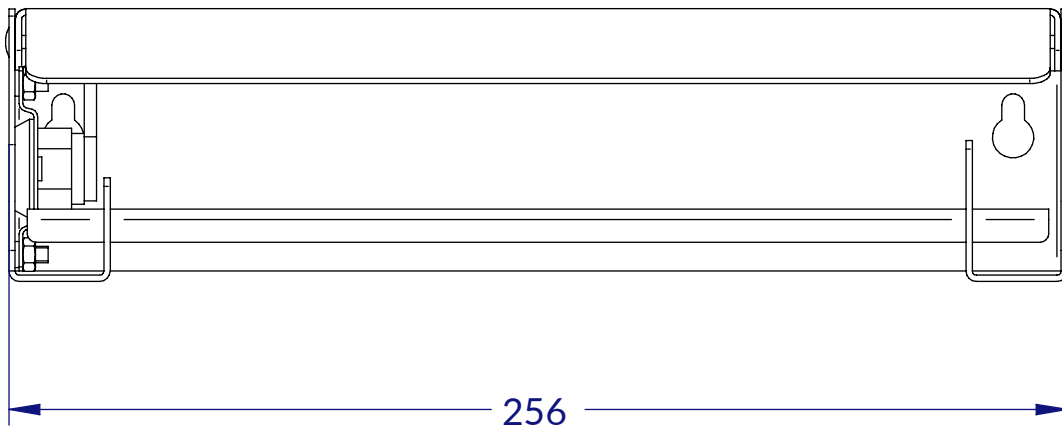
Classic Double Toilet Roll Holder 77982SS, 77982WH, 77982BK



Product Specification:

Material:	Stainless Steel
Dimensions:	W.256mm x H.66mm x D.95mm
Weight:	0.7g
Finish:	Brushed / White Powder Coated / Black Powder Coated

General Assembly:

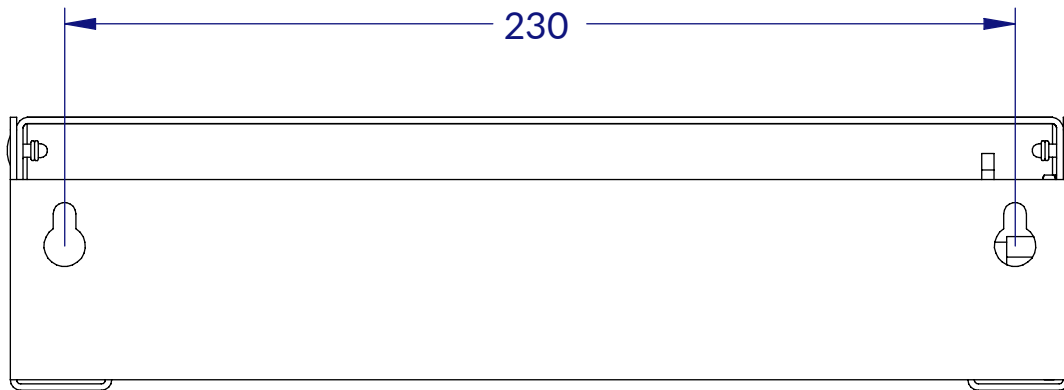


Technical Data Sheet

Classic Double Toilet Roll Holder
77982SS, 77982WH, 77982BK

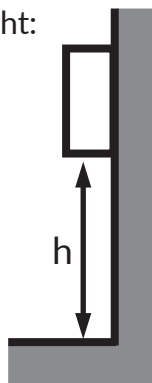


Fixing Holes:



Recommended installation height:

From Floor: 1000mm



Dudley Industries Ltd
Preston Road, Lytham St Annes, Lancashire. FY8 5AT

Tel: +44 (0) 1253 738311
Email: sales@dudleyindustries.com
Web: www.dudleyindustries.com

