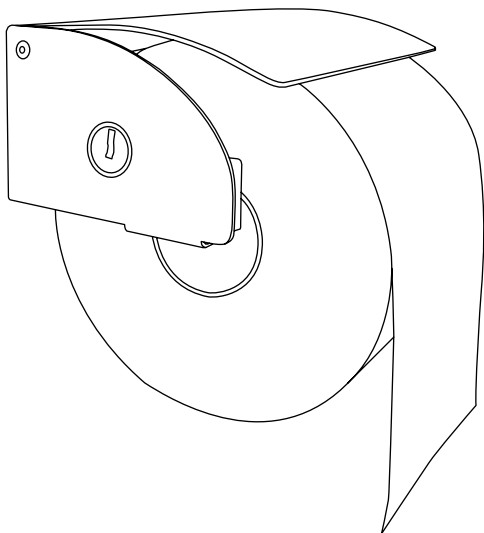


Technical Data Sheet

Classic Range Single Toilet Roll Holder

Applicable to products:

77981SS	Single Toilet Roll Holder - Brushed
77981WH	Single Toilet Roll Holder - White Powder Coated
77981BK	Single Toilet Roll Holder - Black Powder Coated



Technical Data Sheet

Single Toilet Roll Holder

77981SS, 77981WH, 77981BK



Stainless Steel holder for a single standard toilet roll.

Product Image:



Product Description:

- Protects the top of the roll from water splashes.
- Ideal for positioning in smaller, more restricted spaces or quieter washrooms.
- Easy to replace roll.
- Locking mechanism secures and protects the toilet rolls from pilfering.

Available Finishes:

Brushed or powder coated

Available for specification at:



Technical Data Sheet

Single Toilet Roll Holder

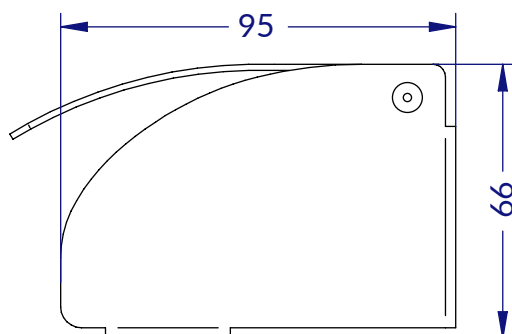
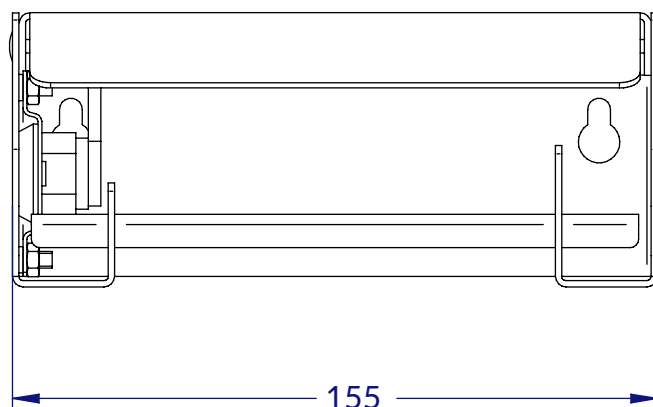
77981SS, 77981WH, 77981BK



Product Specification:

Material:	Stainless Steel
Dimensions:	W.155mm x H.66mm x D.95mm
Weight:	0.5kg
Finish:	Brushed / White Powder Coated / Black Powder Coated

General Assembly:



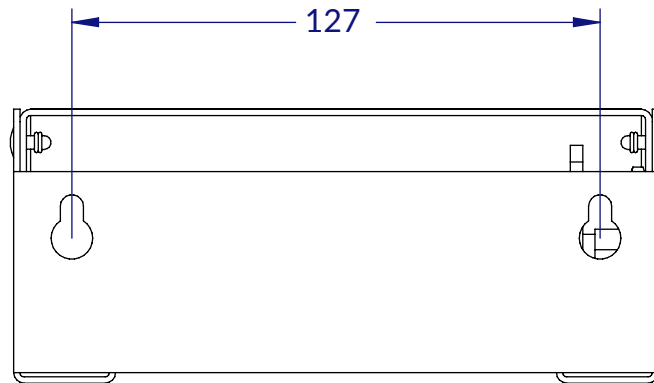
Technical Data Sheet

Single Toilet Roll Holder

77981SS, 77981WH, 77981BK

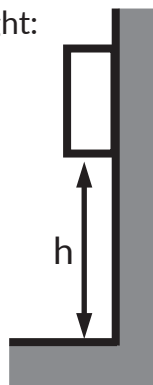


Fixing Holes:



Recommended installation height:

From Floor: 1000mm



Dudley Industries Ltd
Preston Road, Lytham St Annes, Lancashire. FY8 5AT

Tel: +44 (0) 1253 738311
Email: sales@dudleyindustries.com
Web: www.dudleyindustries.com

