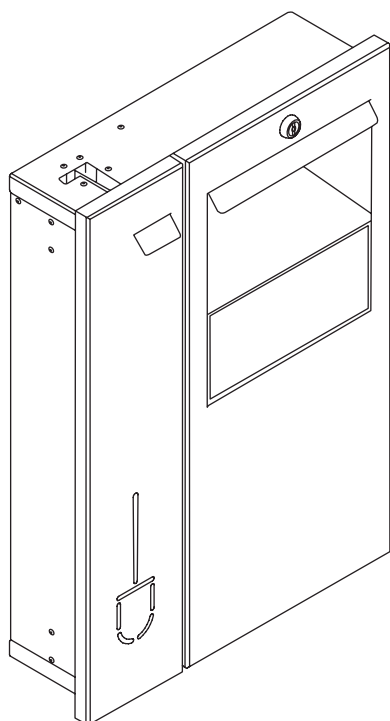


Technical Data Sheet

Recessed Range Cubicle Recessed Unit

Applicable to products:

- 92306SS Cubicle Recessed Unit Stainless Steel
- 92306BK Cubicle Recessed Unit Black



Technical Data Sheet



Cubicle Recessed Unit

92306SS Brushed Stainless Steel

92306BK Black Powder Coated

Maximise cubicle space and enhance cleanliness with the Cubicle Recessed Unit. Designed to fit neatly into the wall cavity, this multi-function unit provides a waste bin, toilet brush, and twin toilet rolls, keeping essentials within easy reach while freeing up valuable floor space.

Product Image:



Product Description:

- A complete cubicle recessed unit.
- Provides twin tissue roll holder and concealed 5L waste bin and toilet brush.
- Available in both brushed stainless steel or black powder coated finishes to complement all washroom décors.
- Fits in a 100mm deep wall cavity to maintain the clean lines of washroom décor.

Available Finishes:

Brushed or powder coated black

Available for specification at:



Technical Data Sheet



Cubicle Recessed Unit

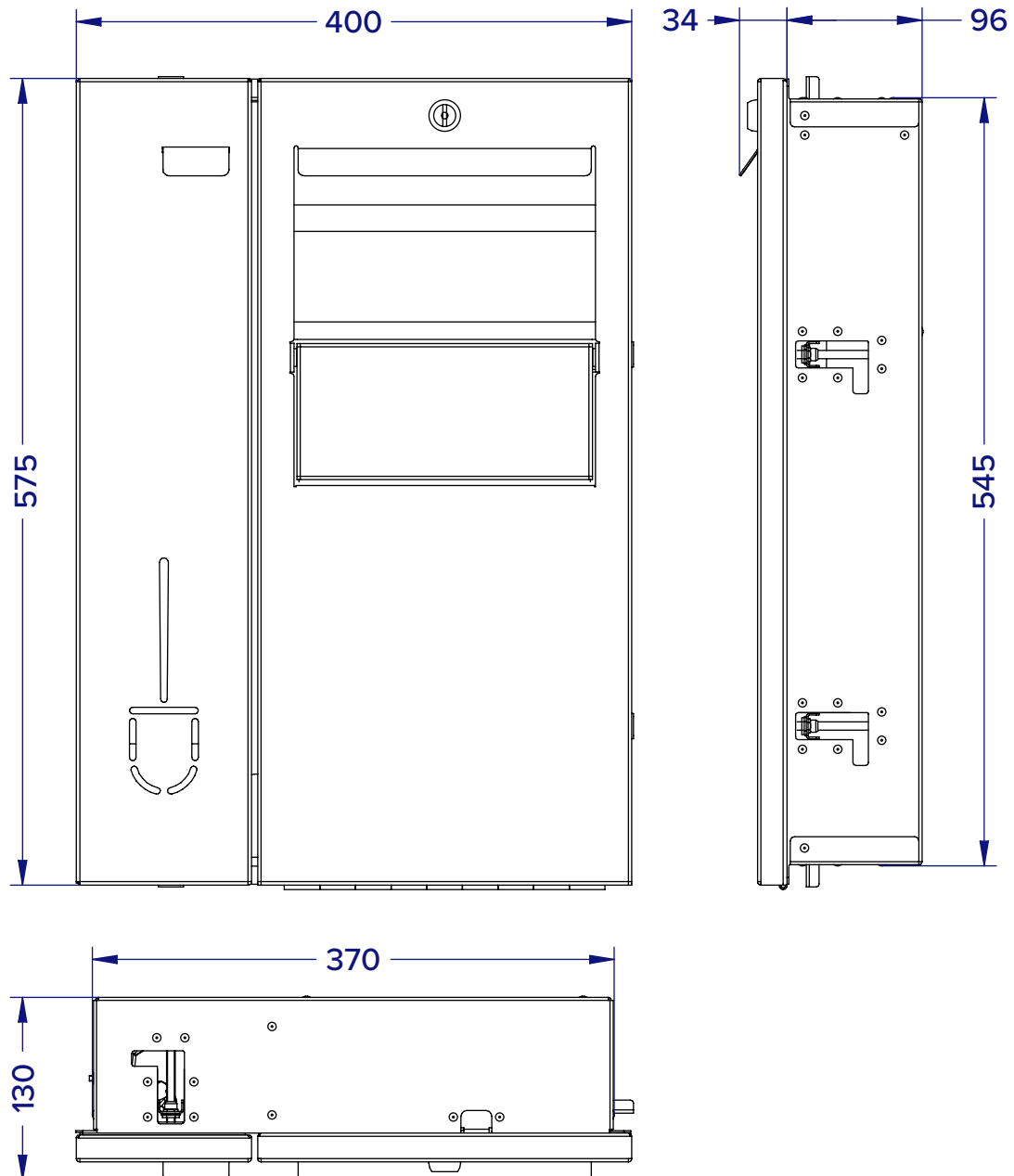
92306SS Brushed Stainless Steel

92306BK Black Powder Coated

Product Specification:

Material:	Stainless Steel
Dimensions:	W.400mm x H.575mm x D.130mm
Finish:	Brushed / Black Powder Coated
Warranty:	10 years

General Assembly:



Technical Data Sheet

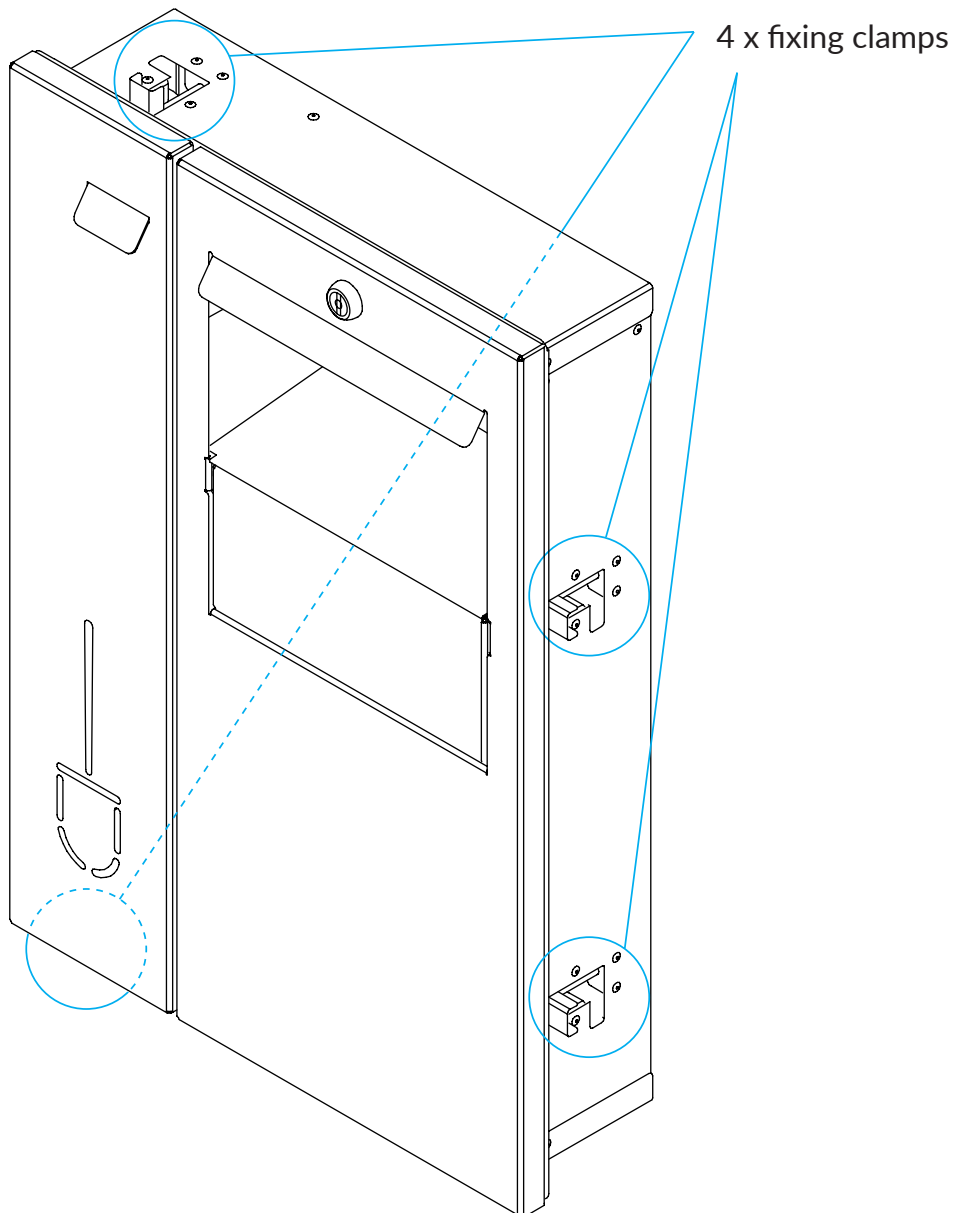
Cubicle Recessed Unit

92306SS Brushed Stainless Steel

92306BK Black Powder Coated



Fixing Holes:



Dudley Industries Ltd
Preston Road, Lytham St Annes, Lancashire. FY8 5AT



Tel: +44 (0) 1253 738311
Email: sales@dudleyindustries.com
Web: www.dudleyindustries.com