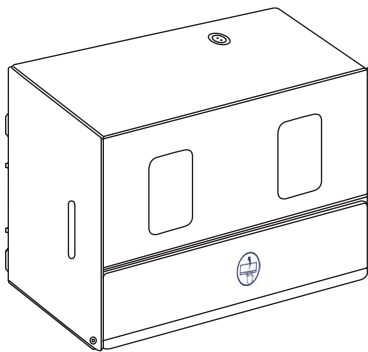


Technical Data Sheet

Free Vend Dispenser - Small

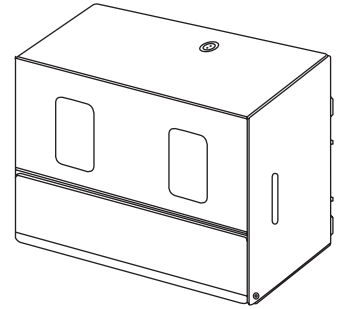
Applicable to products:

- 51036WH Free Vend Dispenser - Small - White Powder Coated Steel
- 51036BK Free Vend Dispenser - Small - Black Powder Coated Steel
- 51036SS Free Vend Dispenser - Small - Brushed Stainless Steel



The Free Vend unit is specifically designed to make the provision of free sanitary products hygienic, organised and hassle-free.

Our innovative Free Vend unit provides flexibility with two fully adjustable internal columns, allowing you to dispense the products that suit your specific needs. The internal design features adjustable column widths, enabling you to accommodate a wide range of hygiene products. The additional adjustable vertical stop plate ensures that the items remain in place when the front flap is lifted.



Stocking and refilling is straightforward—just place the products in the designated columns and update the label to show what's available. The dispensing mechanism, which users operate by lifting the flap, ensures that only one item is taken at a time, reducing waste and helping maintain cleanliness.

Product Description:

- **No Product Restrictions:** The dispenser accommodates any loose product, regardless of type, brand, or packaging, giving you complete flexibility in what you choose to offer.
- **Hygienic:** The wall-mounted dispenser protects products from contamination, dust, and germs, keeping them clean and sanitary until needed.
- **Tidy and Organised:** The dispenser keeps products neatly stored and well-organised, preventing clutter.
- **Controlled Dispensing:** whilst the products are freely provided the dispenser encourages controlled, one-at-a-time dispensing process, helping reduce overuse or waste.
- **Space-Saving:** Wall-mounted dispensers free up valuable counter space.
- **Professional Appearance:** A sleek, mounted unit presents a professional and thoughtful solution for offering sanitary products.
- **Ease of use:** With clear labelling and convenient placement, users can quickly find and access the products they need, improving the overall user experience.

Available Finishes:

Brushed or powder coated

Available for specification at: (In Progress)

Technical Data Sheet

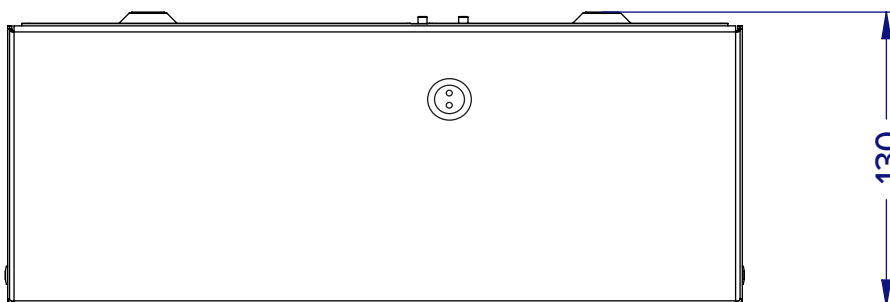
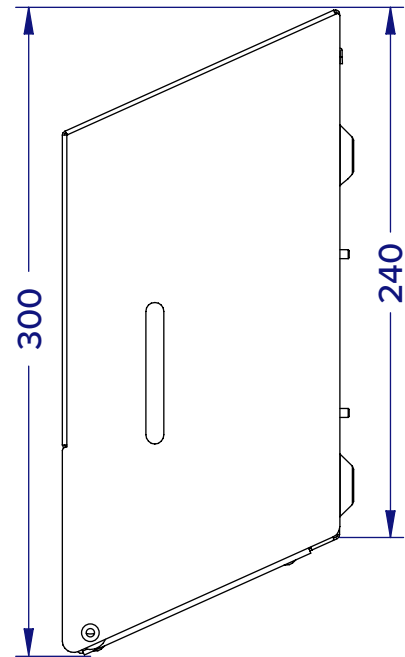
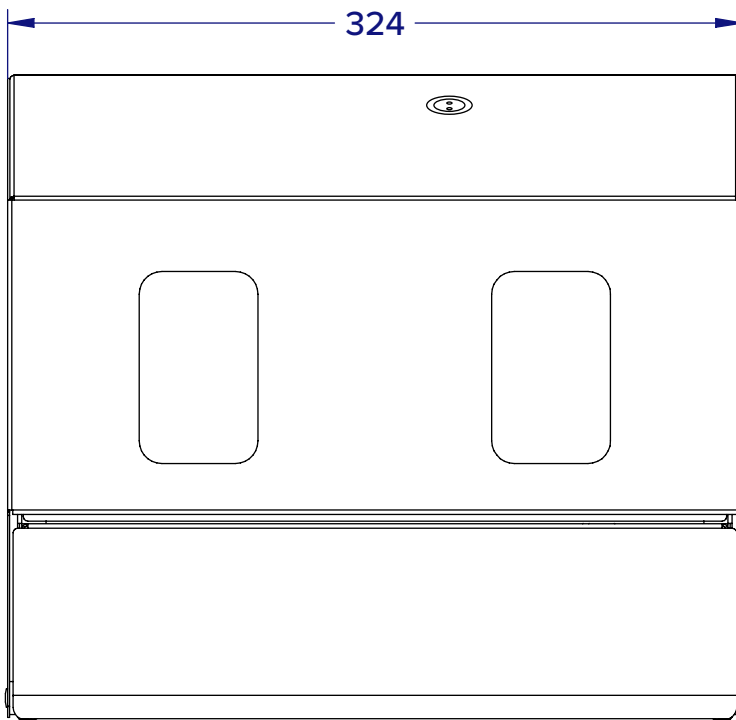
Free Vend Dispenser - Small
51036WH, 51036BK, 51036SS



Product Specification:

Material:	Stainless Steel
Dimensions:	W.324mm x H.300mm x D.130mm
Finish:	Brushed /White Powder Coated / Black Powder Coated

General Assembly:

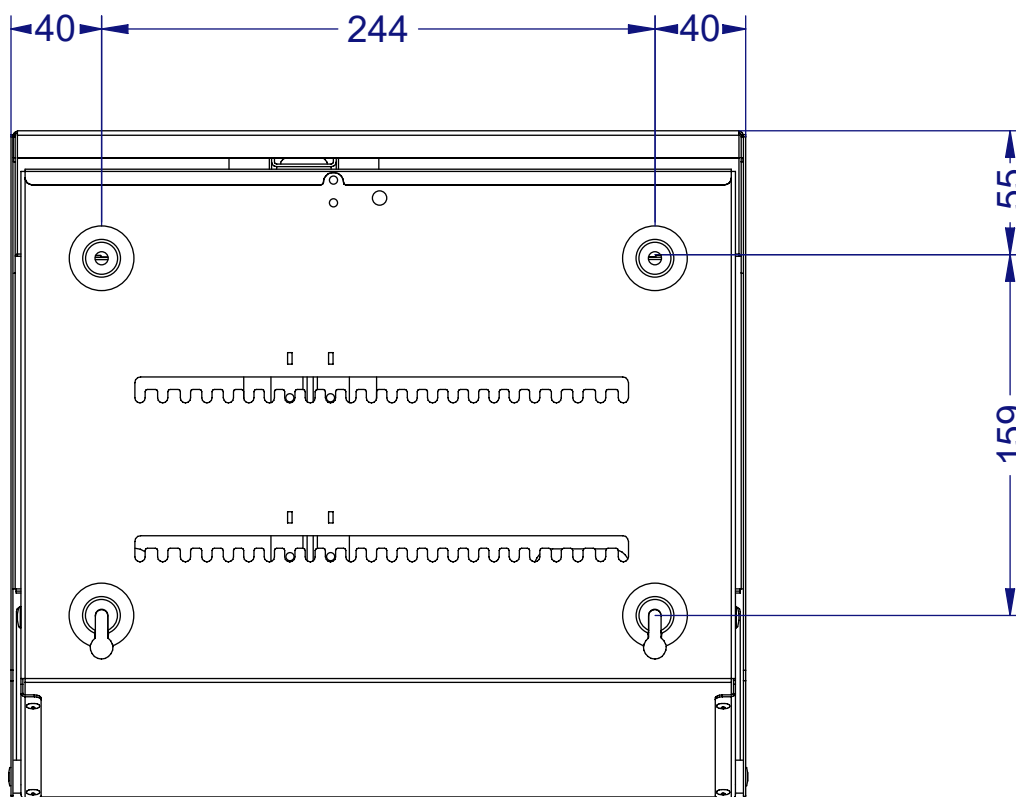


Technical Data Sheet

Free Vend Dispenser - Small
51036WH, 51036BK, 51036SS



Fixing Holes:



Dudley Industries Ltd
Preston Road, Lytham St Annes, Lancashire. FY8 5AT



Tel: +44 (0) 1253 738311
Email: sales@dudleyindustries.com
Web: www.dudleyindustries.com