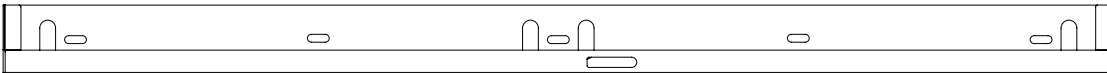
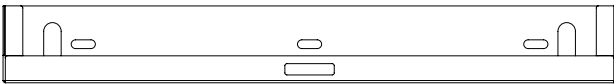


Technical Data Sheet

Modulo Slimline Behind the Mirror Hand Hygiene System Base Shelf - 600mm & 1200mm

Applicable to products:

92405BK Modulo Slimline Base Shelf - 600mm
92404BK Modulo Slimline Base Shelf - 1200mm



Technical Data Sheet



Modulo Slimline Base Shelf - 600mm & 1200mm

92405BK 600mm
92404BK 1200mm

Modulo Slimline base shelf with integrated fixings for Modulo Slimline dispensers. For installation within bespoke cabinetry. Available in 2 sizes.

Product Image:



Product Description:

- Metal base shelf with integral fixings for Modulo Slimline Dispensers
- Suitable for installation within bespoke cabinet installations in all washroom locations
- Available in 2 widths (600mm & 1200mm)
- Can be used individually or combined for wider installations
- Easy to fix to walls
- Designed to hold Modulo Slimline dispensers, multiple fixing locations possible within shelf
- The base plates of the dispensers sit on the shelf and are fixed into place
- Blanking plates are available separately to cover any unused positions

Technical Data Sheet

Modulo Slimline Base Shelf - 600mm & 1200mm

92405BK 600mm

92404BK 1200mm

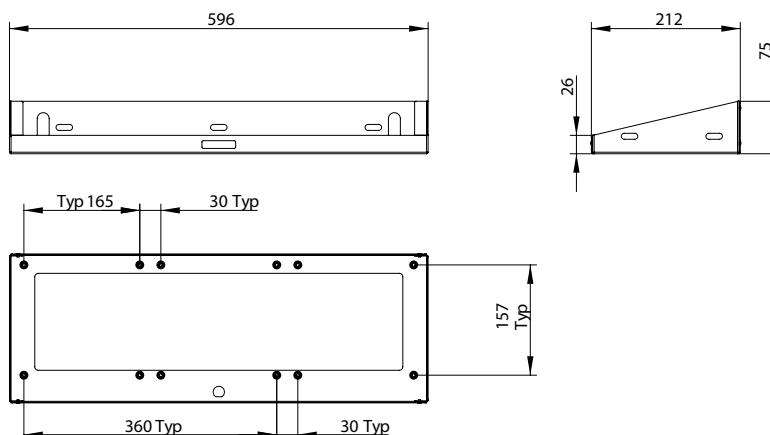


Product Specification:

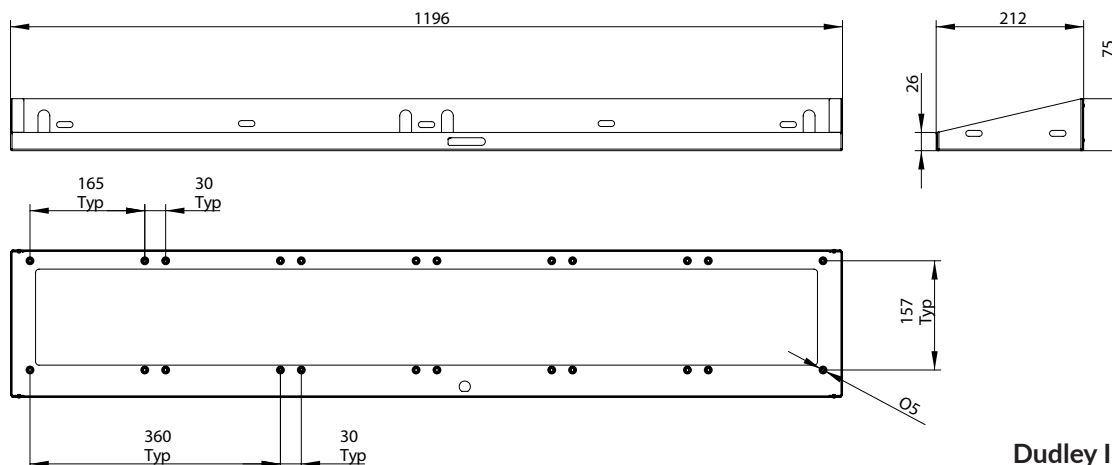
Material:	1.4509 Stainless Steel
Dimensions:	600mm unit: W.596mm x H.75mm x D.212mm 1200mm unit: W.1196mm x H.75mm x D.212mm
Finish:	Matte black powder coated
Weight:	600mm unit: tbc 1200mm unit: tbc
Packing/Carton:	1 piece
Warranty:	10 years

Line Drawing:

600mm Unit:



1200mm Unit:



Dudley Industries Ltd
Preston Road, Lytham St Annes, Lancashire. FY8 5AT

Tel: +44 (0) 1253 738311
Email: sales@dudleyindustries.com
Web: www.dudleyindustries.com

