

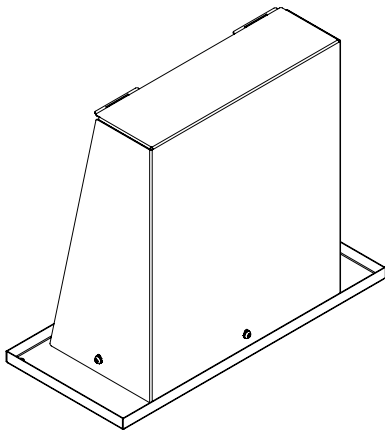
## Technical Data Sheet

# Modulo Slimline Behind the Mirror Hand Hygiene System Hand Dryer

---

Applicable to product:

92403BK Modulo Slimline Hand Dryer



---

**Automatic, energy efficient hand dryer. Dries hands fast at the point of use. Helps to reduce drips on the floor from wet hands. Quiet in use and ideal for busy washrooms. Works in conjunction with the Modulo Slimline Cabinet.**

Product Image:



Product Description:

- Fast, energy efficient hand dryer
- Drips from wet hands are kept over the basins
- CE Approved
- Reduces washroom waste with no requirement to re-fill

When used with the Modulo Slimline Cabinet:

- Base plate sits on fixings within the cabinet and is secured into place
- The dryer can be positioned in multiple locations within the cabinet
- Protected by lockable cabinet door
- Utilises a full modular cabinet space
- Blanking plates available separately if required

When used with the Modulo Slimline Shelf:

- Base plate sits on fixings on the shelf and is secured into place
- The dryer can be positioned in multiple locations on the shelf
- Utilises a full modular shelf space
- Blanking plates available separately if required

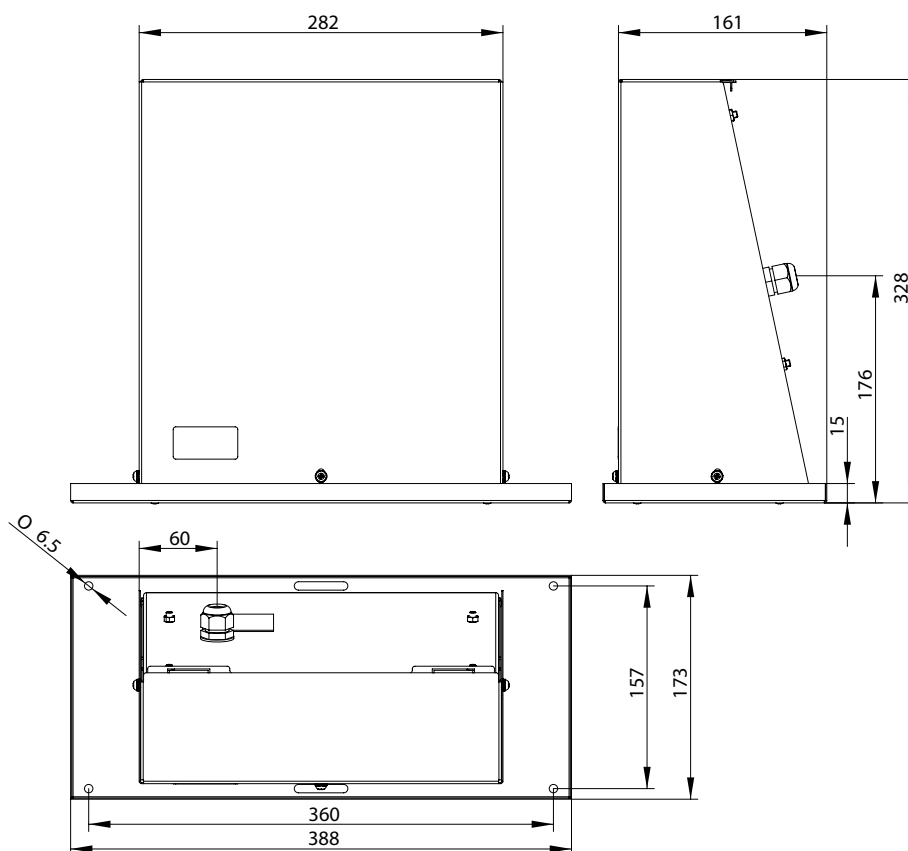
Installation options:

- Compatible with the Modulo Slimline Cabinets - available separately
- Compatible with the Modulo Slimline Shelves - available separately
- Suitable for installation within a bespoke cabinet or shelf

Product Specification:

<b>Material:</b>	EN 1.4509 Stainless Steel + mixed material components
<b>Dimensions:</b>	W.388mm x H.328mm x D.173mm
<b>Finish:</b>	Matte black powder coated
<b>Electrical Supply:</b>	220/240v 50/60Hz
<b>Nominal Output:</b>	1.7kW @ 230 volts
<b>Sensor Range:</b>	100mm (directly under outlet)
<b>Air Velocity:</b>	28 m/s
<b>Noise Level:</b>	71 dBA
<b>Weight:</b>	6.5kg
<b>Warranty:</b>	3 years

Line Drawing:



**Dudley Industries Ltd**  
Preston Road, Lytham St Annes, Lancashire. FY8 5AT

Tel: +44 (0) 1253 738311  
Email: sales@dudleyindustries.com  
Web: www.dudleyindustries.com



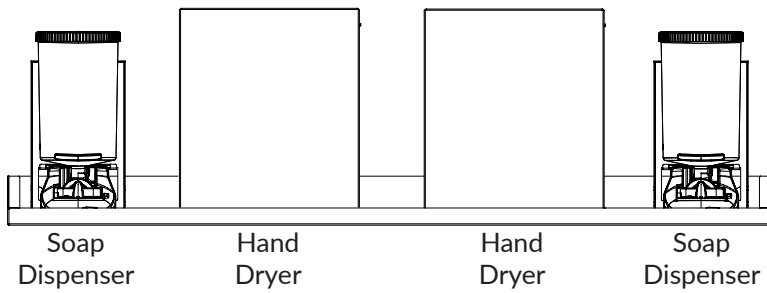
Technical Data Sheet

**Modulo Slimline Hand Dryer**  
92402BK

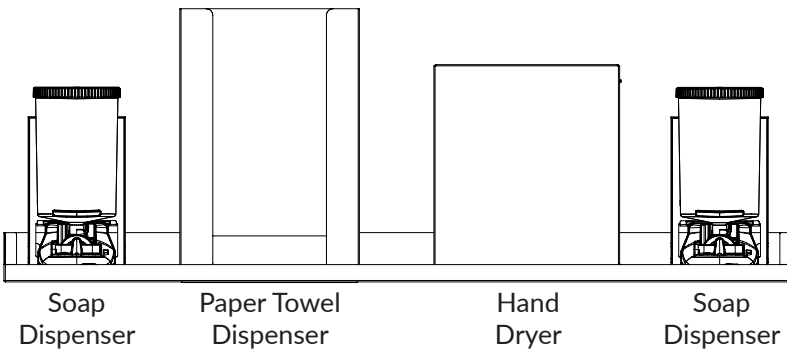
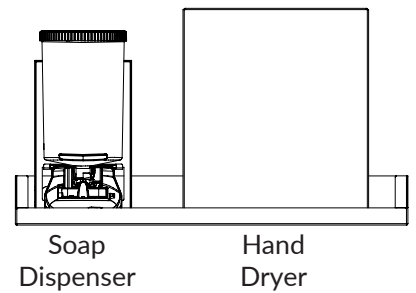


Configuration suggestions:

1200mm Unit:



600mm Unit:



**Dudley Industries Ltd**  
Preston Road, Lytham St Annes, Lancashire. FY8 5AT

Tel: +44 (0) 1253 738311  
Email: [sales@dudleyindustries.com](mailto:sales@dudleyindustries.com)  
Web: [www.dudleyindustries.com](http://www.dudleyindustries.com)

