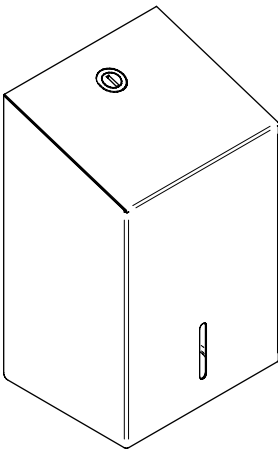


Technical Data Sheet

Plasma Range Multi-Flat Toilet Tissue Dispenser

Applicable to products:

78795SS	Plasma Multi-Flat Toilet Tissue Dispenser Stainless Steel
78795WH	Plasma Multi-Flat Toilet Tissue Dispenser White Powder Coat
78795BK	Plasma Multi-Flat Toilet Tissue Dispenser Black Powder Coat



Technical Data Sheet



Plasma Multi-Flat Toilet Tissue Dispenser

78795SS Brushed Stainless Steel

78795WH White Powder Coated

78795BK Black Powder Coated

Stylish toilet tissue dispenser for multi-flat, single sheet, bulk toilet tissue.

Product Description:

- Stylish dispenser for bulk, flat toilet tissue.
- Recessed lock to preserve the sleek lines and style whilst protecting the contents.
- Fully seam welded construction
- Cover hinges forward to provide easy access for refilling

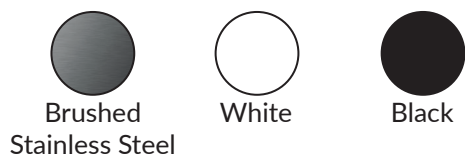
Product Image:



Product Specification:

Material:	Stainless Steel
Dimensions:	W. 137mm x H. 223mm x D. 110mm
Finish:	Brushed White Powder Coat Black Powder Coat
Packing/Carton:	1 piece
Warranty:	10 Years

Available finishes:



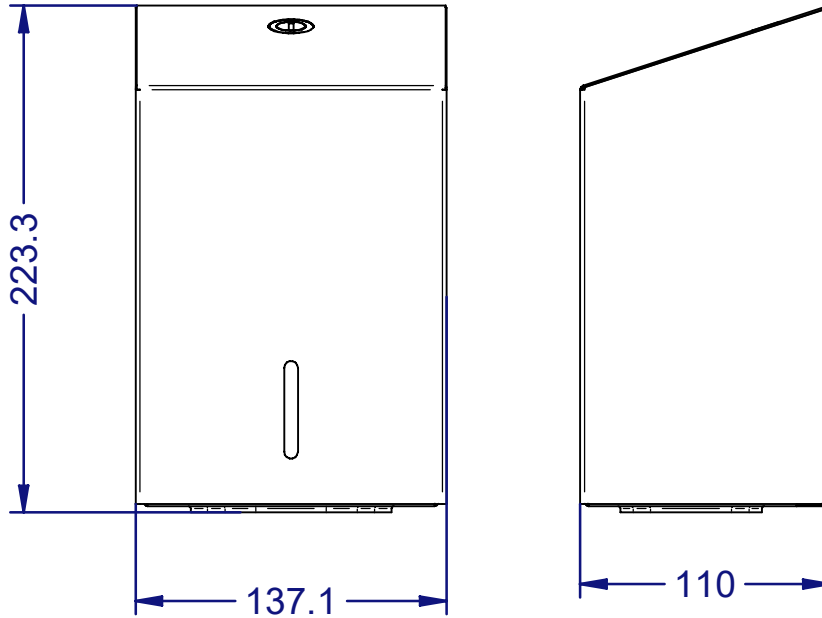
Technical Data Sheet



Plasma Multi-Flat Toilet Tissue Dispenser

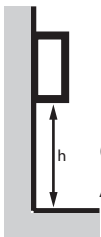
- 78795SS Brushed Stainless Steel
- 78795WH White Powder Coated
- 78795BK Black Powder Coated

Line Drawing:



Recommended Installation Height:

Available for specification at:



Floor to base:
General Washroom 780 - 1000 mm
Accessible Washroom: 780 - 1000mm



Dudley Industries Ltd
Preston Road, Lytham St Annes, Lancashire. FY8 5AT



Tel: +44 (0) 1253 738311
Email: sales@dudleyindustries.com
Web: www.dudleyindustries.com