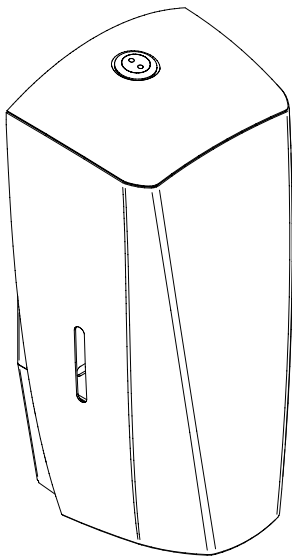


Technical Data Sheet

Platinum Range 1L Shower Gel Dispenser

Applicable to products:

50018SS Platinum 1L Shower Gel Bulk Fill



Platinum Range Shower Gel Dispenser, an ideal addition for shower areas in leisure facilities, hotels, and residential homes.

Product Image:



Product Description:

- Stylish design housing with 1L capacity suitable bulk fill.
- Easily operated by one hand pushing the cover to dispense that soap into the hand.
- Recessed two-pin, locking mechanism secures and protects refill from pilfering.
- Easy to unlock and the cover hinges forward for ease of filling.
- Cover simply snap locks into place when closing.
- Viewing windows allow for easy consumable level check.
- Please note this dispenser is not lacquered to ensure it is suitable for shower areas.

Available Finishes:

Brushed

Technical Data Sheet

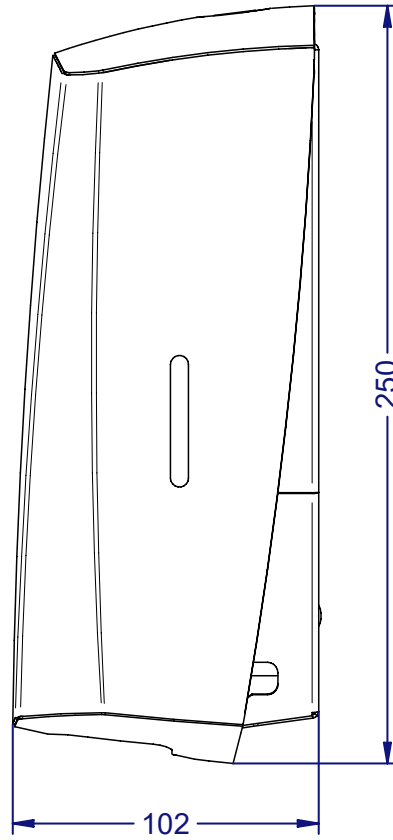
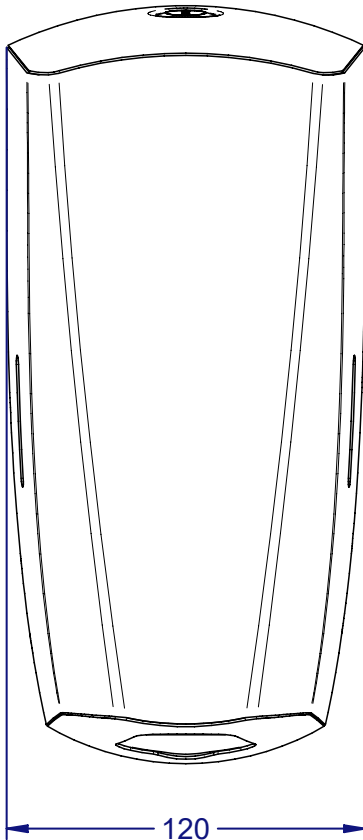
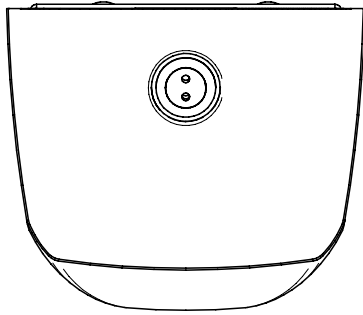
Platinum 1L Shower Gel Dispenser 50018SS Bulk Fill



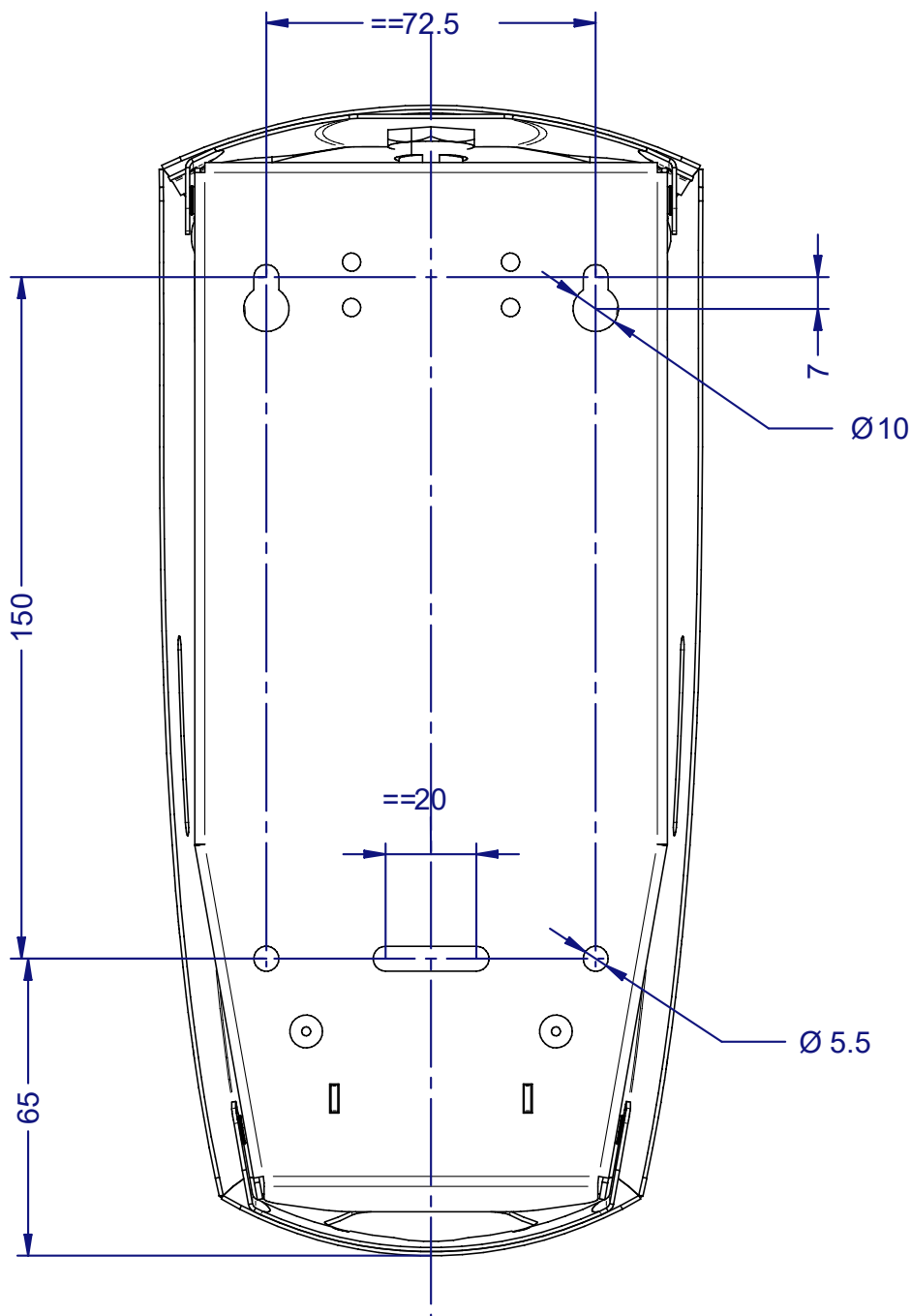
Product Specification:

Material:	Stainless Steel
Dimensions:	W.120mm x H.250mm x D.102mm
Finish:	Brushed
Weight:	1kg
Warranty:	10 years

General Assembly:



Fixing Holes:



Dudley Industries Ltd
Preston Road, Lytham St Annes, Lancashire. FY8 5AT

Tel: +44 (0) 1253 738311
Email: sales@dudleyindustries.com
Web: www.dudleyindustries.com

