

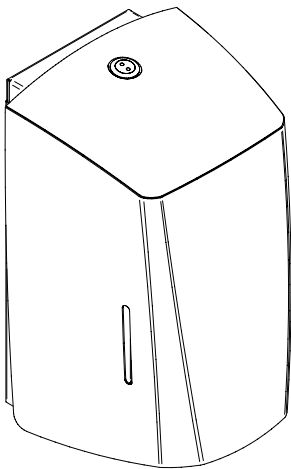
## Technical Data Sheet

### Platinum Range 2 Roll Toilet Roll Dispenser

---

Applicable to products:

77019CB    Platinum 2 Roll Toilet Roll Dispenser



---

This dispenser is designed to hold 2 toilet rolls ensuring a spare is always readily available.

Product Image:



Product Description:

- Stylish dispenser for 2 cored 'Pendomatic' type toilet rolls (widely available).
- Ensures a spare roll is always available which drops into place when required.
- The core of the used toilet roll splits and drops from dispenser to allow the next roll to come into use.
- Innovative coating helps prevent fingerprint marks to keep dispensers looking their best.
- Recessed two-pin, locking mechanism secures and protects refill from pilfering.
- Easy to unlock and cover hinges forward for ease of filling.
- Cover simply snap locks into place when closing.
- Viewing windows allow for easy consumable level check.
- Easy to wipe clean.

Available Finishes:

Brushed with clear lacquer

Available for specification at:



**NBS Source**  
PARTNER

**bimobject**<sup>®</sup>

# Technical Data Sheet

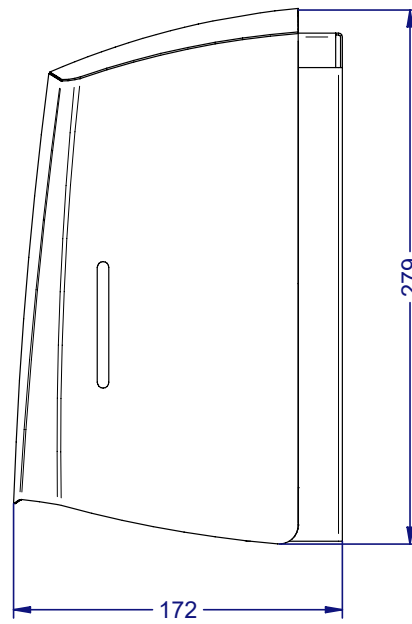
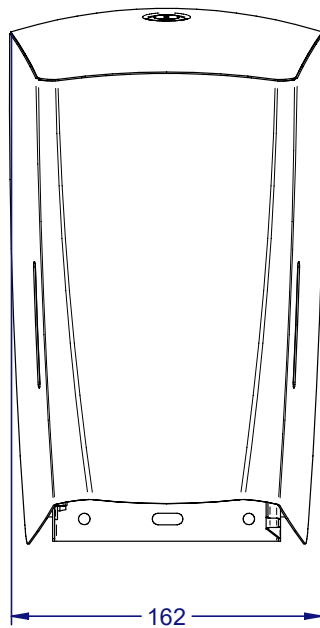
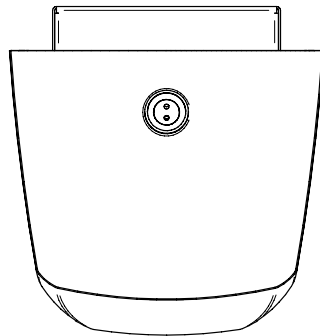
## Platinum 2 Roll Toilet Roll Dispenser 77019CB



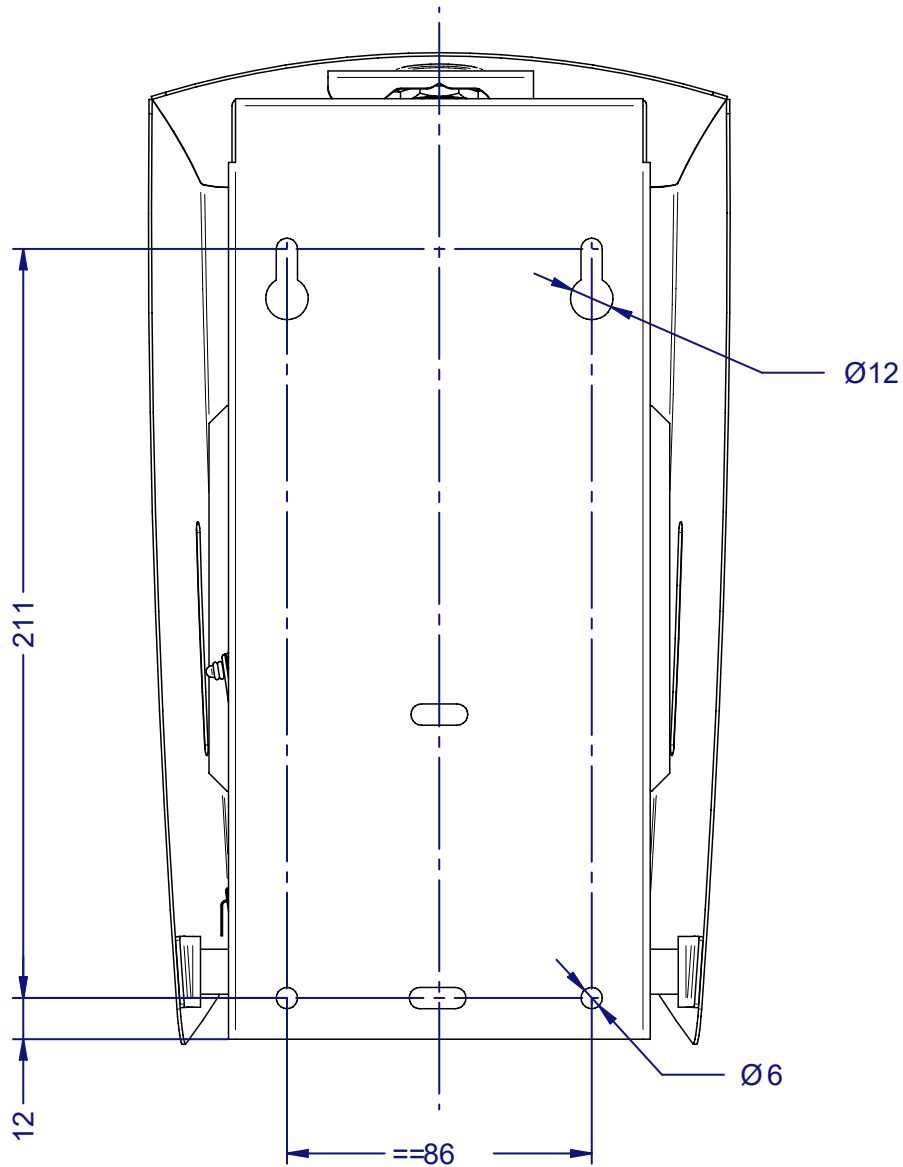
### Product Specification:

<b>Material:</b>	Stainless Steel
<b>Dimensions:</b>	W.162mm x H.279mm x D.172mm
<b>Finish:</b>	Brushed with clear lacquer
<b>Weight:</b>	1.6kg
<b>Warranty:</b>	10 years

### Line Drawing:



Fixing Holes:



Dudley Industries Ltd  
Preston Road, Lytham St Annes, Lancashire. FY8 5AT

Tel: +44 (0) 1253 738311  
Email: sales@dudleyindustries.com  
Web: www.dudleyindustries.com