

Technical Data Sheet

Platinum Range 375ml Liquid Soap Dispenser

Applicable to products:

50004CB Platinum 375ml Liquid Soap Dispenser Cartridge Fill



Platinum Soap Dispenser with a 375ml capacity, providing a compact design tailored for washrooms with limited space.

Product Image:



Product Description:

- Compact design suitable for 375ml liquid soap cartridges; it dispenses a generous 600 shots of soap.
- Easily operated by one hand pushing the cover to dispense the soap into the hand.
- Recessed two-pin, locking mechanism secures and protects refill from pilfering and contamination.
- Easy to unlock and the cover hinges forward for ease of filling.
- Cover simply snap locks into place when closing.
- Innovative coating helps prevent fingerprint marks to keep dispensers looking their best.
- Easy to wipe clean.
- Viewing windows allow for easy consumable level check.

Soap Cartridge Refill:

50084NF - Liquid Soap Cartridge - Natural Fresh (12 x 375ml)

Available Finishes:

Brushed with clear lacquer

Available for specification at:

Technical Data Sheet

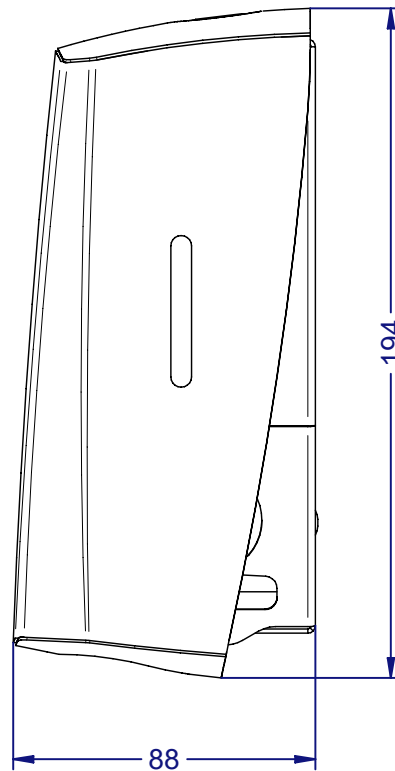
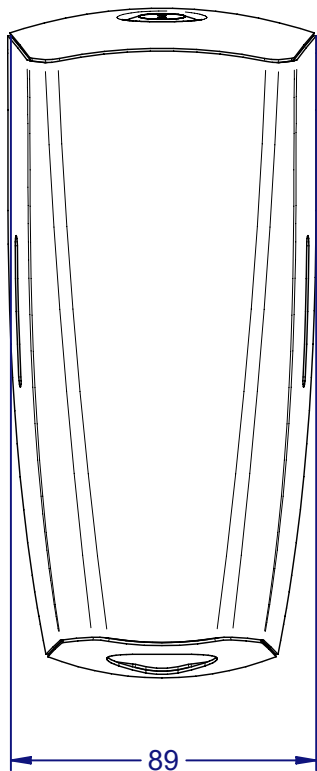
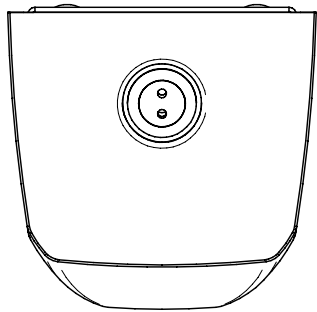
Platinum 375ml Liquid Soap Dispenser 50004CB Cartridge Fill



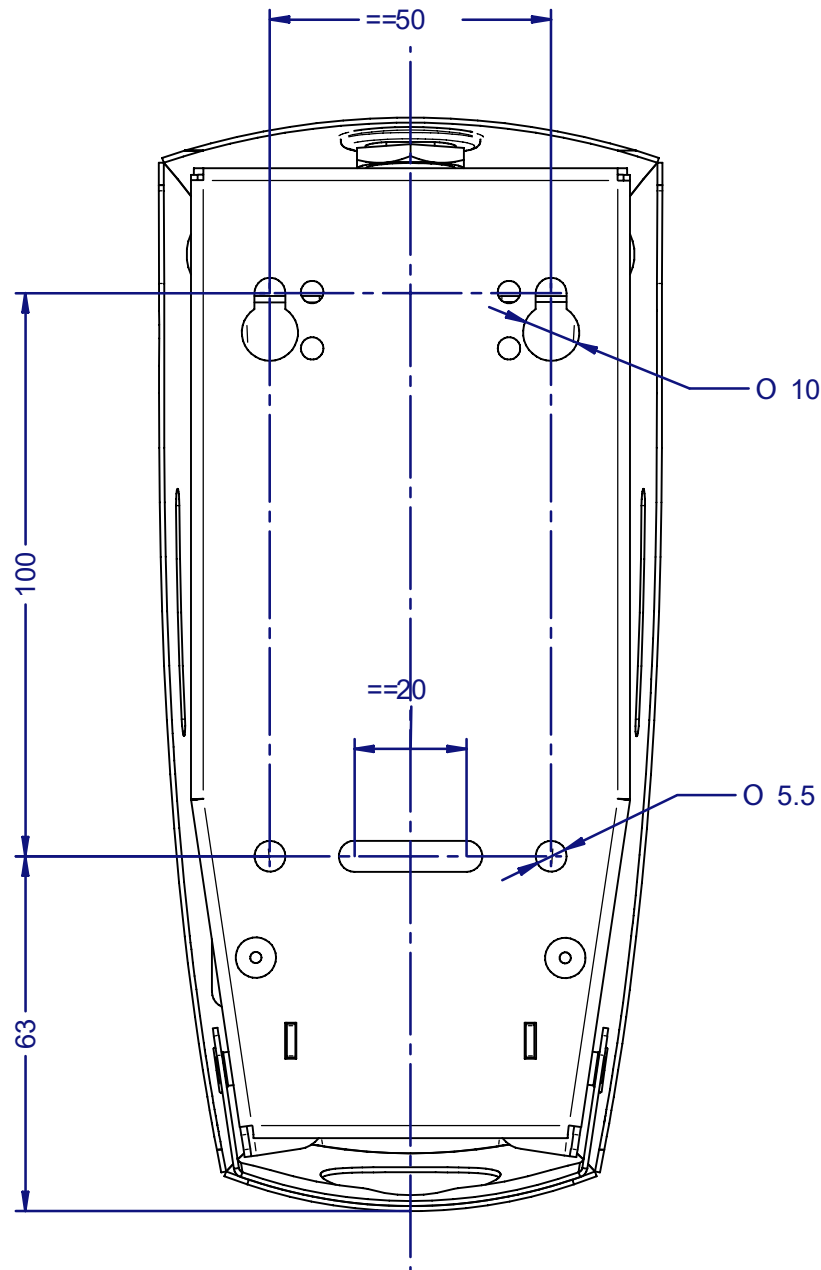
Product Specification:

Material:	Stainless Steel
Dimensions:	W.89mm x H.194mm x D.88mm
Finish:	Brushed with clear lacquer
Weight:	0.6kg
Warranty:	10 years

Line Drawing:



Fixing Holes:



Dudley Industries Ltd
Preston Road, Lytham St Annes, Lancashire. FY8 5AT

Tel: +44 (0) 1253 738311
Email: sales@dudleyindustries.com
Web: www.dudleyindustries.com

