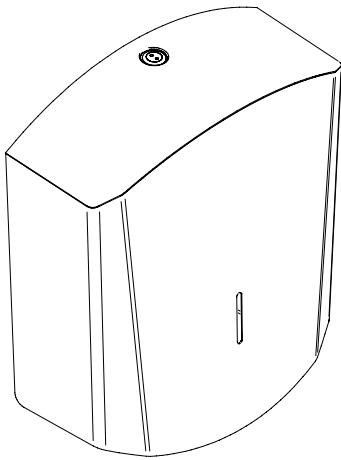


Technical Data Sheet

Platinum Range Jumbo Toilet Roll Dispenser

Applicable to products:

83650CB Platinum Jumbo Toilet Roll Dispenser



Platinum jumbo roll toilet dispenser, designed to accommodate larger rolls for extended use and convenience

Product Image:



Product Description:

- Stylish toilet roll dispenser suitable for 'midi' sized jumbo rolls.
- Recessed two-pin, locking mechanism secures and protects refill from pilfering and contamination.
- Easy to unlock and the cover hinges forward for ease of filling.
- Cover simply snap locks into place when closing.
- Innovative coating helps prevent fingerprint marks to keep dispensers looking their best.
- Easy to wipe clean.
- Viewing windows allow for easy consumable level check.

Available Finishes:

Brushed with clear lacquer

Available for specification at:



NBS Source
PARTNER

bimobject[®]

Technical Data Sheet

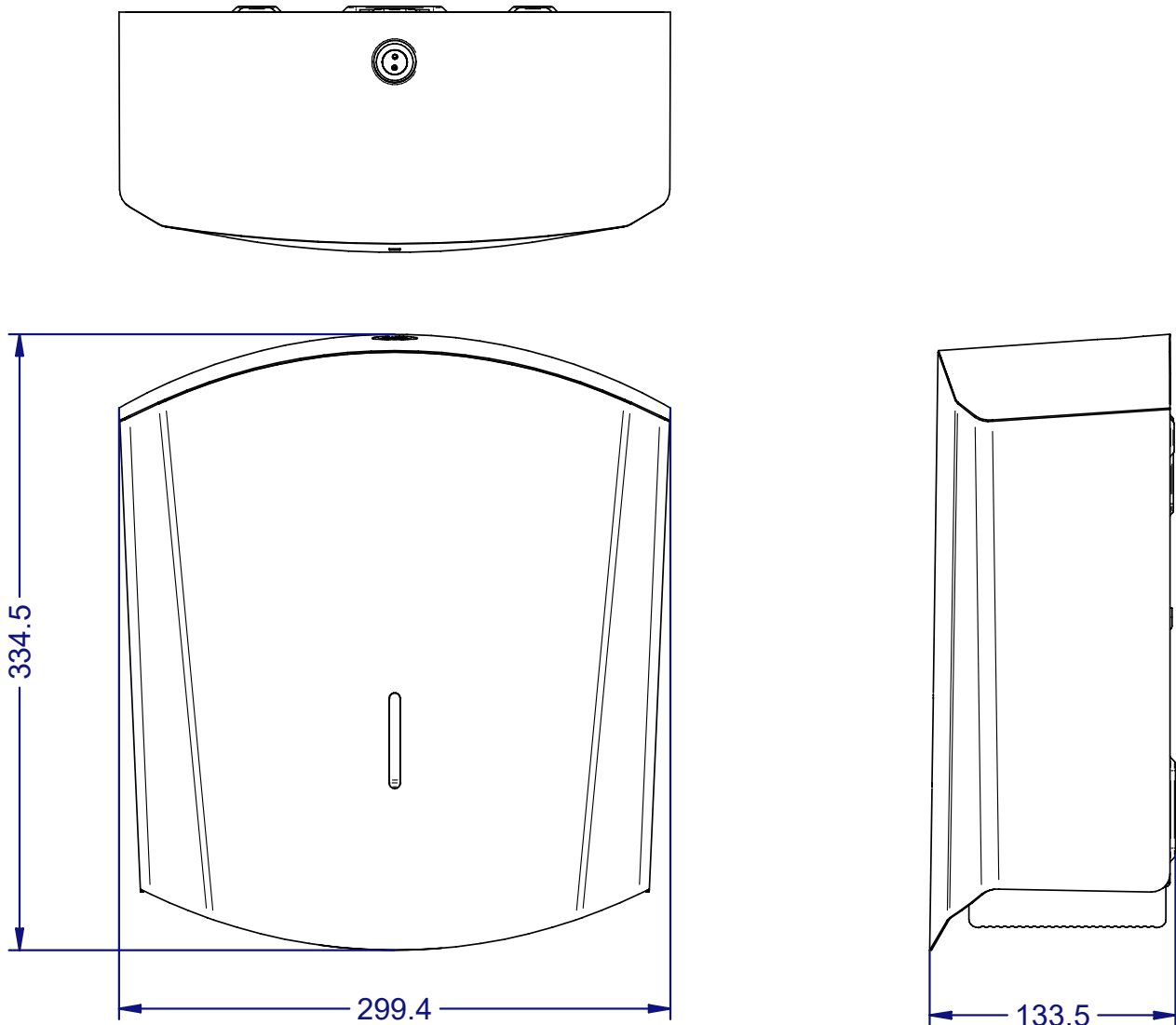
Platinum Jumbo Toilet Roll Dispenser 83650CB



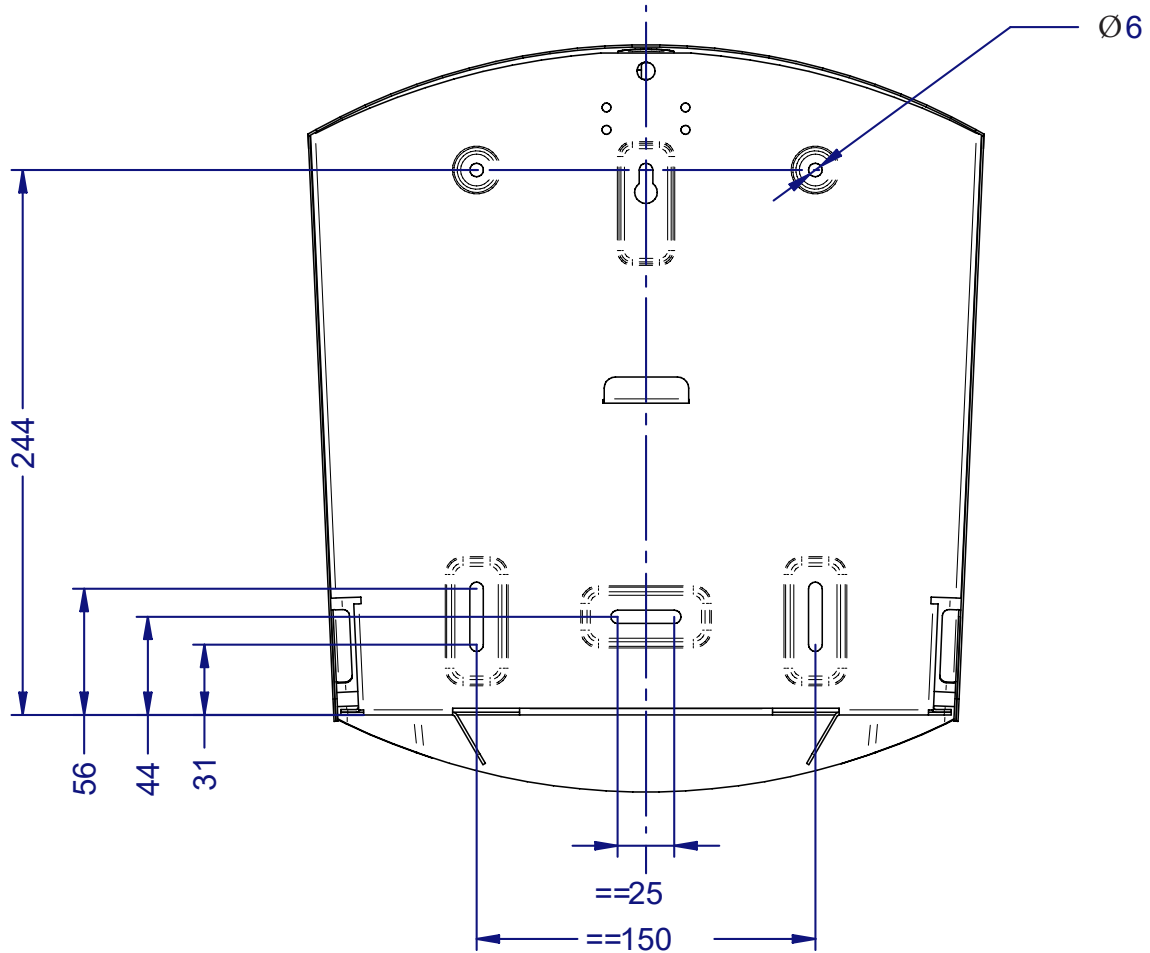
Product Specification:

Material:	Stainless Steel
Dimensions:	W.299.4mm x H.334.5mm x D.133.5mm
Finish:	Brushed with clear lacquer
Weight:	2.4kg
Warranty:	10 years

General Assembly:

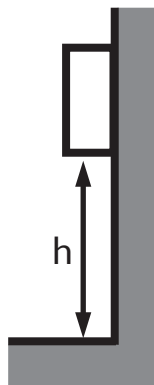


Fixing Holes:



Recommended installation height:

From Floor: 75cm



Dudley Industries Ltd
Preston Road, Lytham St Annes, Lancashire. FY8 5AT



Tel: +44 (0) 1253 738311
Email: sales@dudleyindustries.com
Web: www.dudleyindustries.com