

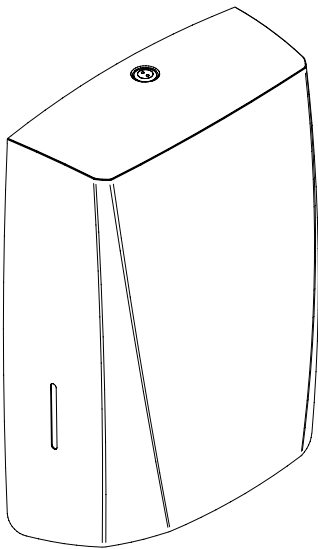
## Technical Data Sheet

### Platinum Range Large Paper Towel Dispenser

---

Applicable to products:

77017CB    Platinum Large Paper Towel Dispenser



---

Large paper towel dispenser, ideal for busy washrooms.

Product Image:



Product Description:

- Stylish paper towel dispenser suitable for most standard paper towel packs.
- Large size makes this unit ideal for busier washrooms, it holds 2 - 3 packs of paper towels.
- Recessed two-pin, locking mechanism secures and protects refill from pilfering and contamination.
- Easy to unlock and the cover hinges forward for ease of filling.
- Cover simply snap locks into place when closing.
- Innovative coating helps prevent fingerprint marks to keep dispensers looking their best.
- Easy to wipe clean.
- Viewing windows allow for easy consumable level check.

**Available Finishes:**

Brushed with clear lacquer

Available for specification at:

# Technical Data Sheet

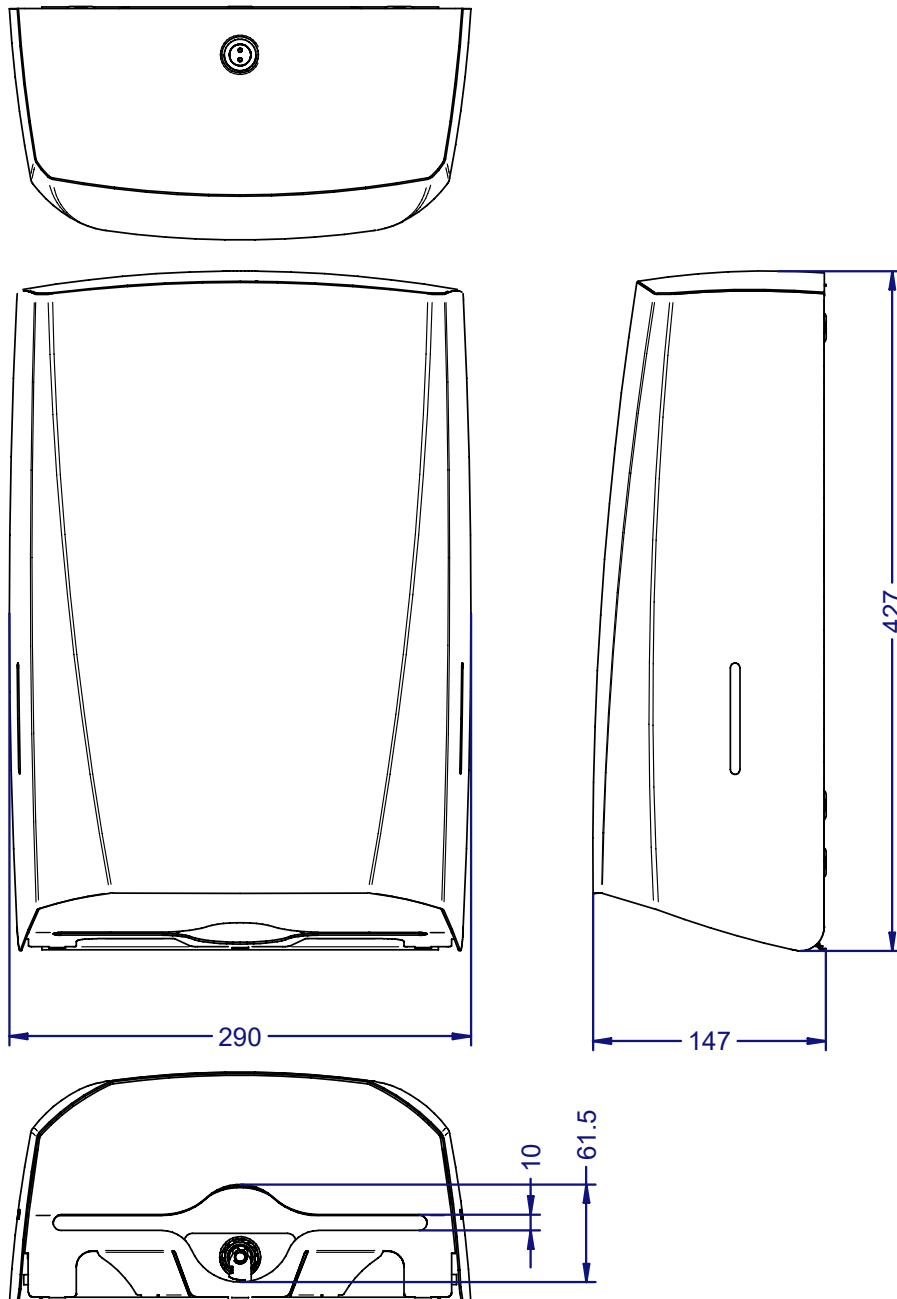
## Platinum Large Paper Towel Dispenser 77017CB



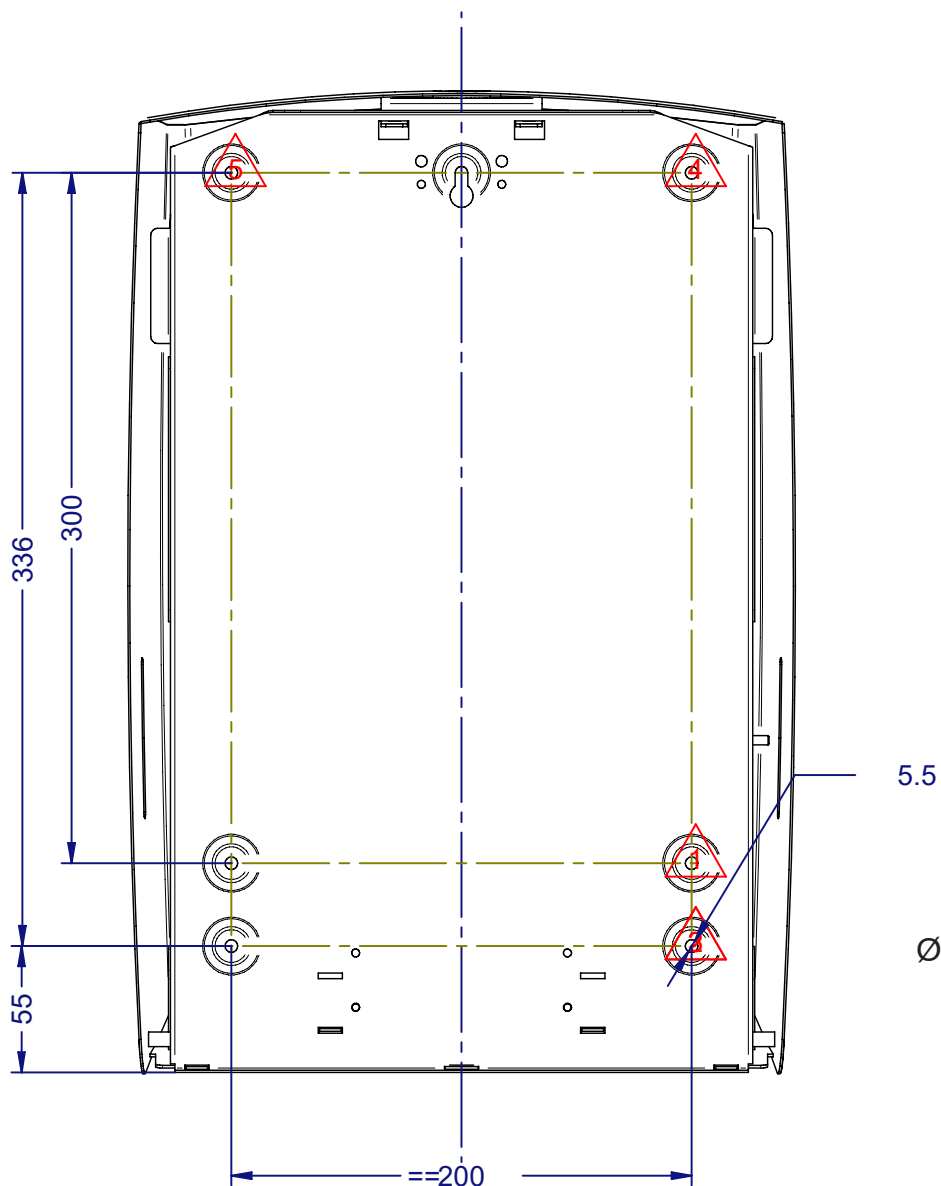
### Product Specification:

<b>Material:</b>	Stainless Steel
<b>Dimensions:</b>	W.290mm x H.427mm x D.147m
<b>Finish:</b>	Brushed with clear lacquer
<b>Weight:</b>	3.1kg
<b>Warranty:</b>	10 years

### General Assembly:

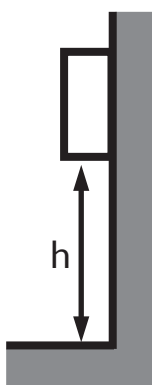


Fixing Holes:



Recommended installation height:

From Floor: 130cm



Dudley Industries Ltd  
Preston Road, Lytham St Annes, Lancashire. FY8 5AT

Tel: +44 (0) 1253 738311  
Email: sales@dudleyindustries.com  
Web: www.dudleyindustries.com

