

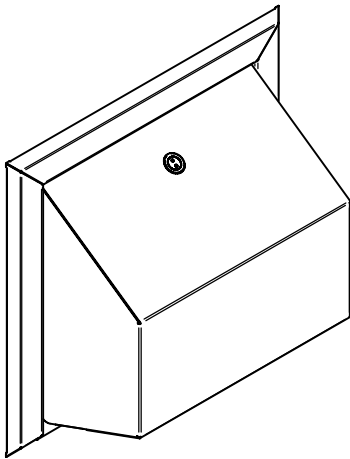
## Technical Data Sheet

### Safeguard Anti-Ligature Paper Towel Dispenser

---

Applicable to products:

- 78852WB Safeguard Anti-Ligature Paper Towel Dispenser White Dispenser / Blue Wall Plate
- 78852SS Safeguard Anti-Ligature Paper Towel Dispenser Stainless Steel



**Safeguard Anti-Ligature Paper Towel Dispenser**

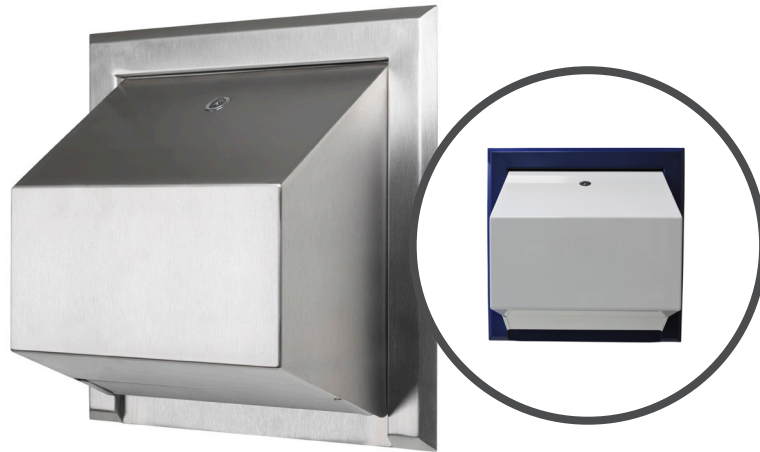
78852WB - White Dispenser / Blue Wall Plate

78852SS - Stainless Steel

---

**Paper towel dispenser designed to help reduce the potential for self harm.**

Product Image:



Product Description:

- Multi-fold paper towel dispenser suitable for different interleaved paper towel types
- Contemporary angular design reduces the potential to attach a ligature for the purposes of self-harm
- The dispenser works in-conjunction with a wall plate for safe and secure installation
- Created by experts in anti-ligature design
- Internal 2mm stainless steel brackets provide strength to protect against vandalism
- Strong baton lock protects the contents
- Easy for staff to refill
- Manufactured from high grade stainless steel for robustness and durability
- Finished with an attractive brushed steel surface or powder coated

IMPORTANT:

The anti-ligature design features of this product do not replace or substitute the need for the necessary supervision of those who may be at risk, or for other protective measures to be taken in the specific circumstances of usage.

Dudley Industries Ltd does not claim any product to totally prevent ligatures being attached or make claims that they cannot be damaged by intent through vandalism. It is therefore the customer's responsibility to ensure the suitability of the product for the environment in which they are to be fitted, that they are installed according to the instructions and that the necessary supervision is in place.

# Technical Data Sheet

## Safeguard Anti-Ligature Paper Towel Dispenser

78852WB - White Dispenser / Blue Wall Plate

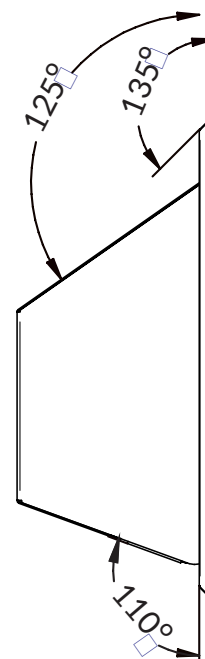
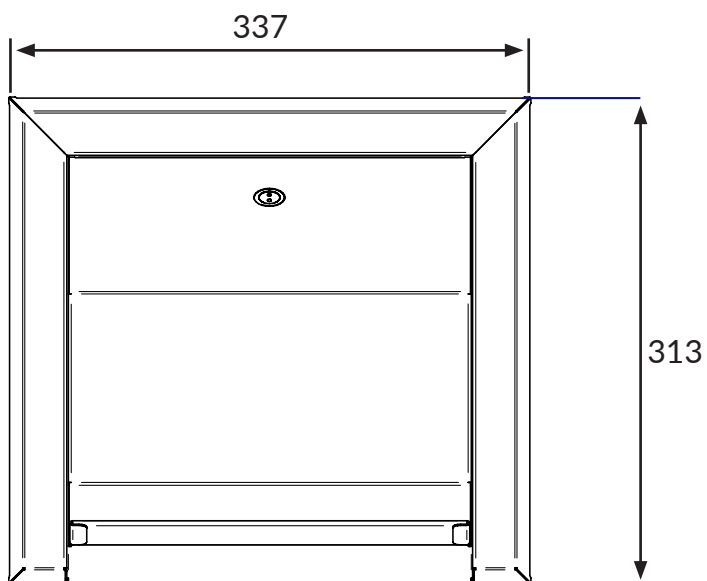
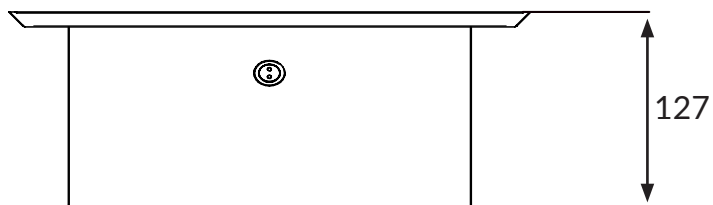
78852SS - Stainless Steel



### Product Specification:

<b>Material:</b>	Stainless Steel
<b>Dispenser Dimensions:</b>	W.259mm x H.250mm x D.126mm
<b>Wall Plate Dimensions:</b>	W.336mm x H.313mm x D.10mm
<b>Complete Dimensions:</b>	W.336mm x H.313mm x D.127mm
<b>Internal Dimensions for Paper:</b>	W.250mm x H.150mm x D.120mm
<b>Finish:</b>	Brushed or White / Blue Power Coat
<b>Packing/Carton:</b>	1 piece
<b>Warranty:</b>	10 years

### Line Drawing:



Available for specification at:



**Dudley Industries Ltd**  
Preston Road, Lytham St Annes, Lancashire. FY8 5AT

**Tel:** +44 (0) 1253 738311  
**Email:** [sales@dudleyindustries.com](mailto:sales@dudleyindustries.com)  
**Web:** [www.dudleyindustries.com](http://www.dudleyindustries.com)

