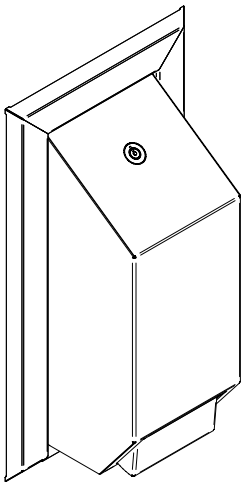


Technical Data Sheet

Safeguard Anti-Ligature Soap Dispenser

Applicable to products:

- 51032WB Safeguard Anti-Ligature Soap Dispenser White Dispenser / Blue Wall Plate
- 51032SS Safeguard Anti-Ligature Soap Dispenser Stainless Steel



Safeguard Anti-Ligature Soap Dispenser

51032WB White Dispenser / Blue Wall Plate

51032SS Stainless Steel

Soap dispenser designed to help reduce the potential for self harm.

Product Image:



Product Description:

- 1L Liquid Soap dispenser
- Contemporary angular design reduces the potential to attach a ligature for the purposes of self-harm
- Internal 2mm stainless steel brackets provide strength to protect against vandalism
- Easy for staff to refill the soap reservoir
- Strong baton lock protects the contents
- Manufactured from high grade stainless steel for robustness and durability
- Also available in white & blue to provide high contrast identification to aid recognition for individuals with dementia
- Finished with an attractive brushed steel surface or powder coated

IMPORTANT:

The anti-ligature design features of this product do not replace or substitute the need for the necessary supervision of those who may be at risk, or for other protective measures to be taken in the specific circumstances of usage.

Dudley Industries Ltd does not claim any product to totally prevent ligatures being attached or make claims that they cannot be damaged by intent through vandalism. It is therefore the customer's responsibility to ensure the suitability of the product for the environment in which they are to be fitted, that they are installed according to the instructions and that the necessary supervision is in place.

Technical Data Sheet



Safeguard Anti-Ligature Soap Dispenser

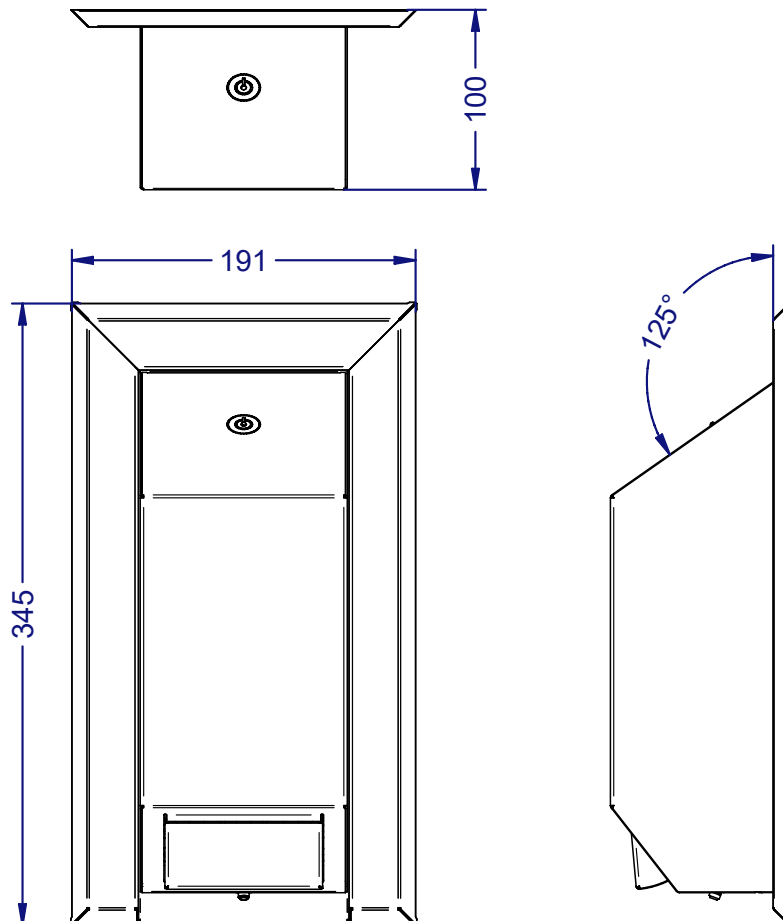
51032WB White Dispenser / Blue Wall Plate

51032SS Stainless Steel

Product Specification:

Material:	Stainless Steel
Dispenser Dimensions:	W.120mm x H.280mm x D.97mm
Wall Plate Dimensions:	W.191mm x H.345mm x D.10mm
Complete Dimensions:	W.191mm x H.345mm x D.99mm
Finish:	Brushed or White / Blue Power Coat
Packing/Carton:	1 piece
Warranty:	10 years

Line Drawing:



Available for specification at:



Dudley Industries Ltd
Preston Road, Lytham St Annes, Lancashire. FY8 5AT

Tel: +44 (0) 1253 738311
Email: sales@dudleyindustries.com
Web: www.dudleyindustries.com

